

Bedside Infotainment Terminal

BIS Series

NEW

IOVU-10F-AD

10.1" RISC-Based Panel PC

Features

- 10.1" 1280x800 LCD
- Project Capacitive Touch Screen
- CPU: Freescale i.MX6 Cortex-A9 Quad-Core 1GHz
- OS: Android 4.2 or 5.1
- Boot Flash: 16GB eMMC NAND Flash
- RAM: 2GB DDR3 SDRAM on board



Specifications

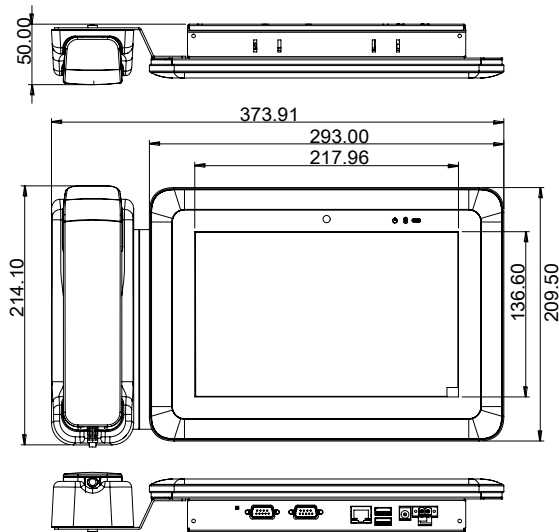
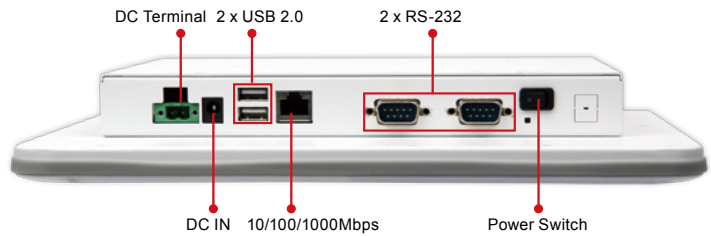
Model	IOVU-10F-AD-WB-ET	IOVU-10F-AD-WB-TC	IOVU-10F-AD-WB
LCD Size	10.1" (16:9)		
Resolution	1280(W) x 800(H)		
Brightness (cd/m ²)	400	300	300
Contrast Ratio	800:1		
LCD Color	16.2M	262K	262K
Pixel Pitch (mm)	0.1695 x 0.1695		
Viewing Angle	85/85/85/85 Deg.		
Backlight MTBF(hrs)	30000	20000	20000
Touch Screen	Projected capacitive		
CPU	Freescale i.MX6 Cortex A9 Quad-Core 1.0GHz		
RAM	1GB DDR3 SDRAM	2GB DDR3 SDRAM	
Boot Flash	4GB eMMC NAND Flash	16GB eMMC NAND Flash	
Operating System	Android 4.2.2	Android 5.1	Android 5.1
Input / Output	1 x 10/100/1000 Mbps 2 x USB 2.0 1 x RS-232/422/485 (DB-9) 1 x RS-232 full function (DB-9) 1 x 13.56MHz 1 x DC jack 1 x On/Off power switch 1 x Reset button 1 x SD slot (hidden)	1 x 10/100/1000 Mbps 2 x USB 2.0 1 x RS-232/422/485 (DB-9) 1 x RS-232 full function (DB-9) 1 x 13.56MHz 1 x DC jack 1 x Reset button 1 x SD slot (hidden)	1 x 10/100/1000 Mbps w/ PoE 2 x USB 2.0 1 x RS-232/422/485 (DB-9) 1 x RS-232 full function (DB-9) 1 x 13.56MHz 1 x DC jack 4 x GPIO 1 x Reset button 1 x SD slot (hidden) 1 x Audio jack (mic+speaker) 1 x Mini USB
Camera	N/A	N/A	1 x 2-megapixel camera
Audio	1 x 2W Speaker		
VoIP Phone	N/A	Optional VoIP Phone w/ user self define button	N/A
LED Indicator	N/A	1 x Power LED 1 x Wi-Fi LED 1 x BT LED	1 x Power LED 1 x Wi-Fi LED 1 x BT LED
Thermal Solution	Fanless		
Wireless	BT4.0 + Wi-Fi controller for 802.11b/g/n	Wireless a/b/g/n/ac + BT 4.0 w/ BLE	Wireless a/b/g/n/ac + BT 4.0 w/ BLE
Construction Material	Plastic front cover and metal rear cover		
Mounting	Panel, Wall, Stand, VESA Mount 75mmx75mm or 100mm x 100mm		
Color	White		
Dimensions (WxHxD) (mm)	293 x 209.5 x 44.49		
Operating Temperature	0°C ~ 40°C	0°C ~ 60°C	0°C ~ 60°C
Storage Temperature	-10°C ~ 60°C		
Humidity	5%~90% non-condensing		
IP Level	IP64 front panel only		
Power Requirement	9~30V DC		

Ordering Information

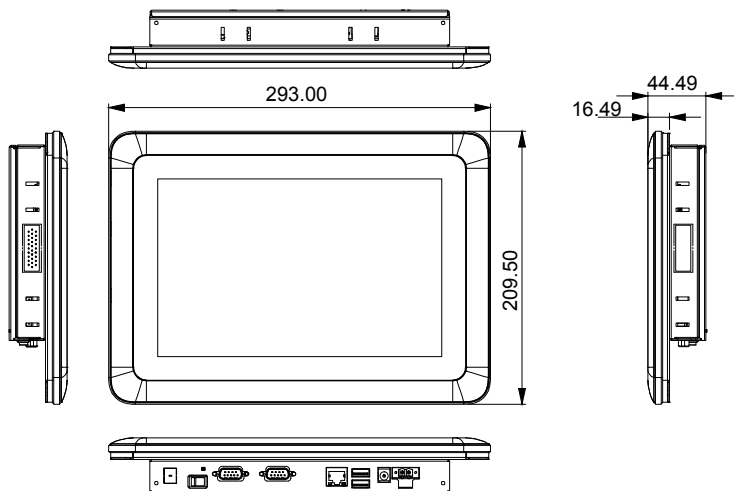
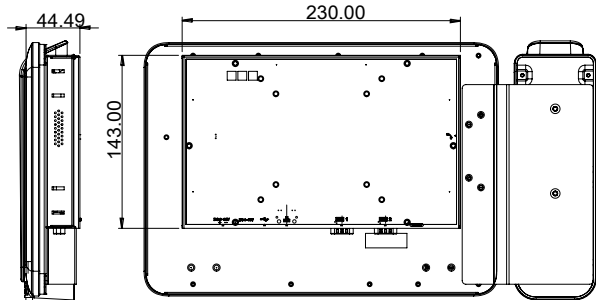
Part No.	Description
IOVU-10F-AD-WB-ET-R10	10.1" TFT-LCD; Freescale i.MX6 Cortex-A9 QC 1GHz; Wi-Fi/BT; 13.56MHz RFID; Android 4.2, RoHS
IOVU-10F-AD-WB-TC-R20	10.1" TFT-LCD, Freescale i.MX6 Cortex-A9 QC 1GHz, Wi-Fi/BT, RFID, 10/100/1000Mbps Ethernet, Android 5.1, RoHS
IOVU-10F-AD-WB-R20	10.1" TFT-LCD, Freescale i.MX6 Cortex-A9 QC 1GHz, Wi-Fi/BT, RFID, IEEE 802.3at for PoE, phone jack, 4xDIO, Android 5.1, RoHS

Options

Part No.	Description
Power Adapter	63040-010060-130-RS (Vin:90~264VAC;60W;Vout:12VDC)
ARM	ARM-11-RS
Stand	STAND-A12-RS
Wall Mount Kit	AFLWK-19B
Panel Mount Kit	FPK-01-R10
VoIP Phone for IOVU-10F-AD-WB-TC-R20	MEDP-HS-RJ-R20



IOVU-10F-AD-WB Dimensions
(Unit: mm)



IOVU-10F-AD Dimensions
(Unit: mm)

