

AFL2-10A-N28

Intel® Atom™ N2800 Dual Core Processor



Features

- Flat-bezel LCD with LED backlight
- Intel® Atom™ N2800 dual core 1.86 GHz processor
- One 1066 MHz 204-pin DDR3 SO-DIMM slot (system max. 4GB) pre-installed with 2GB
- 5-wire resistive type touch screen supported
- Wi-Fi 802.11b/g/n high speed wireless
- EM or Mifare RFID reader
- Built-in 2M pixels webcam with AF, AE and AWB capabilities
- Built-in two 1.5W speakers and microphone
- IP 64 compliant front panel



Specifications

Model	AFL2-10A-N28		
LCD Specifications	Size	10.4"	
	Resolution	800 (W) x 600 (H)	
	Brightness (cd/m ²)	400 cd/m ²	
	Contrast Ratio	700:1	
	LCD Color	262K/16.2M	
	Pixel Pitch (mm)	0.264 (H) x 0.264 (V)	
	Viewing Angle (H-V)	160°(H) / 140°(V)	
	Backlight MTBF	30000 hrs (LED backlight)	
Touch	Touch Screen	5-wire resistive type with RS-232 interface	
	Touch Controller	PenMount DMC9000	
System	CPU	Intel® Atom™ N2800 dual core 1.86 GHz CPU	
	Chipset	Intel® NM10	
	RAM	Support one 1066MHz 204-pin DDR3 SO-DIMM slot (max. 4GB)	
	Ethernet	Realtek RTL8111E PCIe GbE controller supporting ASF 2.0	
	Audio Codec	Realtek ALC892 HD Audio codec	
	HDD	2.5" SATA 2.0 HDD bay	
	Input / Output		1 x Mini USB 2.0 port on front panel 1 x MicroSD card slot on front panel 1 x Power switch 1 x AT/ATX switch 1 x Reset button 1 x Clear CMOS button 1 x DC input jack
		Audio	AMP 1.5 W + 1.5 W
Camera and Microphone		2M pixels with low light function, digital microphone	
RFID Reader		EM 125 KHz or Mifare 13.56 MHz card reader (optional)	
MSR Card Reader		MSR card reader (optional)	
OSD Function		LCD on/off, brightness up/down, volume up/down, hotkey	
System Cooling		Fanless	
Connectivity	Wireless	IEEE 802.11b/g/n Telec certified	
Physical	Construction Front Panel	PC + ABS plastic front frame	
	Mounting	Wall, Rack, Stand, RACK Mounting and Arm VESA 75mm x 75mm	
	Color	Black	
	Dimensions (WxHxD) (mm)	282.5 x 242.7 x 51	
	Weight (N/G)	2.98 kg / 4.5 kg	
Environment	Operating Temperature (°C) (Ambient with air flow)	-20°C ~ 45°C	
	Storage Temperature (°C)	-20°C ~ 60°C	
	Humidity	10% to 95% (non-condensing)	
	IP Level	IP 64 compliant front panel	
	Safety&EMC	CE / FCC	
Power	Power Supply	60W power adapter, Input: 90VAC~264VAC, 50/60 Hz, Output: 12VDC	
	Power Requirement	9 ~ 36 VDC	
	Power Consumption	12V@2.75A (Intel® Atom™ N2800 CPU with 2GB DDR3 memory)	

Ordering Information

Part Number	Description
AFL2-10A-N28/R/2G-R11	10.4" 400cd/m ² SVGA fanless panel PC with Intel® Atom™ cedarview N2800 dual core 1.86GHz, 802.11b/g/n wireless module, resistive touch screen, 2M camera, microphone, 2GB DDR3 RAM, R11

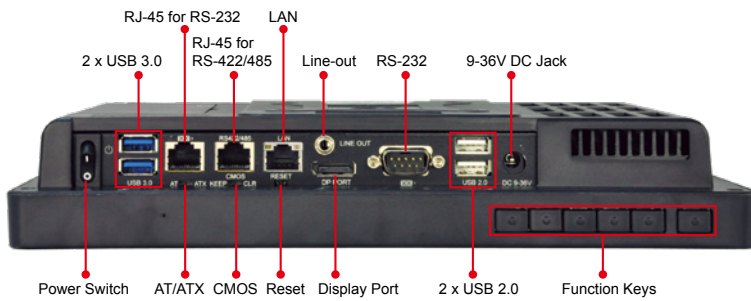
Options

Item	AFL2-10A-N28
Panel Mounting Kit	AFL2PK-10A
Wall Mounting Kit	AFLWK-12
Rack Mounting Kit	AFL2RK-10A
Stand	STAND-C12-R10/STAND-A21-R10
V-stand	VSTAND-A10-R11
Magnetic Stripe Reader	AFL2P-12AMSR-U-R10
EM RFID Reader	AFL2-EM-RFID-KIT01-R10
Mifare RFID Reader	AFL2-MF-RFID-KIT01-R11
OS: Win XPE (CD-ROM)	AFL2-W10A-CV-XPE-R11
OS: Win 7 Embedded (DVD-ROM)	AFL2-W10A-CV-WES7E-R11 (for Resistive Touch)

Packing List

Item	P/N	Q'ty	Description
Utility CD		1	drivers and user manual
One Key Recovery CD		1	
Power adapter	63040-010060-130-RS	1	(Meet PSE)
Power cord	32702-000200-100-RS	1	European standard, 1830mm
Power transfer cord	32702-000300-100-RS	1	

Fully Integrated I/O



- Fn
- Backlight On/Off
- Audio -
- Audio +
- Brightness -
- Brightness +
- Fn + Backlight On/Off
- Fn + Audio Mute
- Fn + Camera Enable/Disable
- Fn + Front Side USB Enable/Disable
- Fn + Power On / Off

AFL2-10A Dimensions

(Unit: mm)

