

# TANK-600-D2550-N2600

■ Fanless Embedded System  
■ Intel® Cedarview Dual Core Atom™ CPU

## Features

- Intel® Atom™ D2550 1.86 GHz dual-core processor  
Intel® Atom™ N2600 1.6 GHz dual-core processor
- Eight COM ports: six RS-232 and two RS-232/422/485
- 6 x USB 2.0
- Dual PCIe GbE LAN for high-speed network applications



## Specifications

Model Name		TANK-600-D2550	TANK-600-N2600
Chassis	Color	Black C + Silver	
	Dimensions (WxDxH) (mm)	193.4 x 200 x 57	
	System Fan	Fanless	
	Chassis Construction	Aluminum alloys	
Motherboard	CPU	Intel® Atom™ D2550 1.86 GHz	Intel® Atom™ N2600 1.6 GHz
	Chipset	Intel® NM10	
	System Memory	On-board DDR3 4 GB	On-board DDR3 2 GB
Storage	Hard Drive	1 x 2.5" SATA 3Gb/s HDD/SSD bay	
I/O Interfaces	USB 2.0	6	
	Ethernet	2 x RJ-45 PCIe GbE by Realtek 8111E controller	
	COM Port	6 x RS-232 (DB-9) 2 x RS-232/422/485 (DB-9)	
	Display	1 x VGA	
	Resolution	VGA: Up to 2048 x 1536@75Hz	
	Audio	1 x Line-out, 1 x Mic-in	
	Expansions	PCIe Mini	1 x Half-size PCIe Mini 1 x Full-size PCIe Mini (supports mSATA, colay with SATA)
Power	Power Input	DC Jack: 9 V~36 V DC	
	Power Consumption	12 V@2.2 A (Intel® Atom™ D2550 with 4 GB DDR3 memory)	12 V@2 A (Intel® Atom™ N2600 with 2 GB DDR3 memory)
Reliability	Mounting	VESA 100, DIN-Rail	
	Operating Temperature	-20°C ~70°C with air flow (SSD), 5% ~ 95%, non-condensing	
	Storage Temperature	-30°C ~80°C	
	Operating Shock	Half-sine wave shock 5G, 11ms, 3 shocks per axis	
	Operating Vibration	MIL-STD-810F 514.5C-2 (with SSD)	
	Weight (Net/Gross)	2.2 kg/3 kg	
	Safety/EMC	CE/FCC	
OS	Supported OS	Microsoft® Windows® Embedded Standard 7 E, Microsoft® Windows® XP Embedded	

## Fulfill a Great Variety of Applications



AFC



ATM



Automation



Kiosk

## Wide Range Temperature



The TANK-600 supports -20°C~70°C wide range environment.

The best choice for some ruggedize applications.

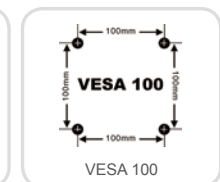
## RS-232



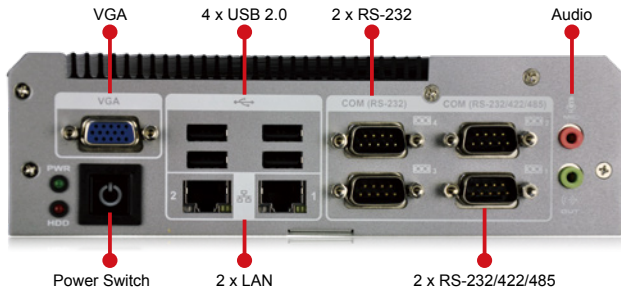
RS-232 is a standard serial port to connect between DTE (Data Terminal Equipment) and DCE (Data Communication Equipment). With the advantage of long distance transmission and simple transmission line, the TANK-600 can fulfill users' demand to connect a large number of devices through the RS-232 serial ports.

## Versatile Mounting Ways

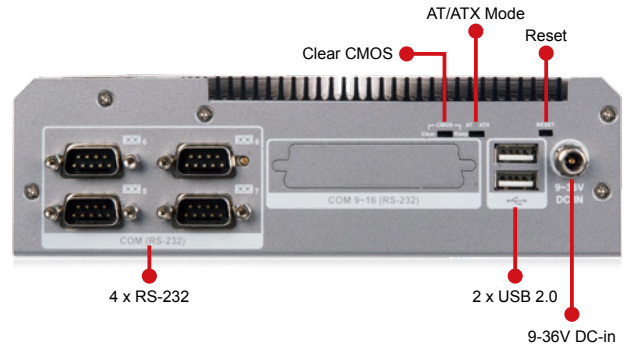
The TANK-600 series can be mounted with VESA 100 devices, DIN rail or wall mount kit providing users different ways to meet their applications.



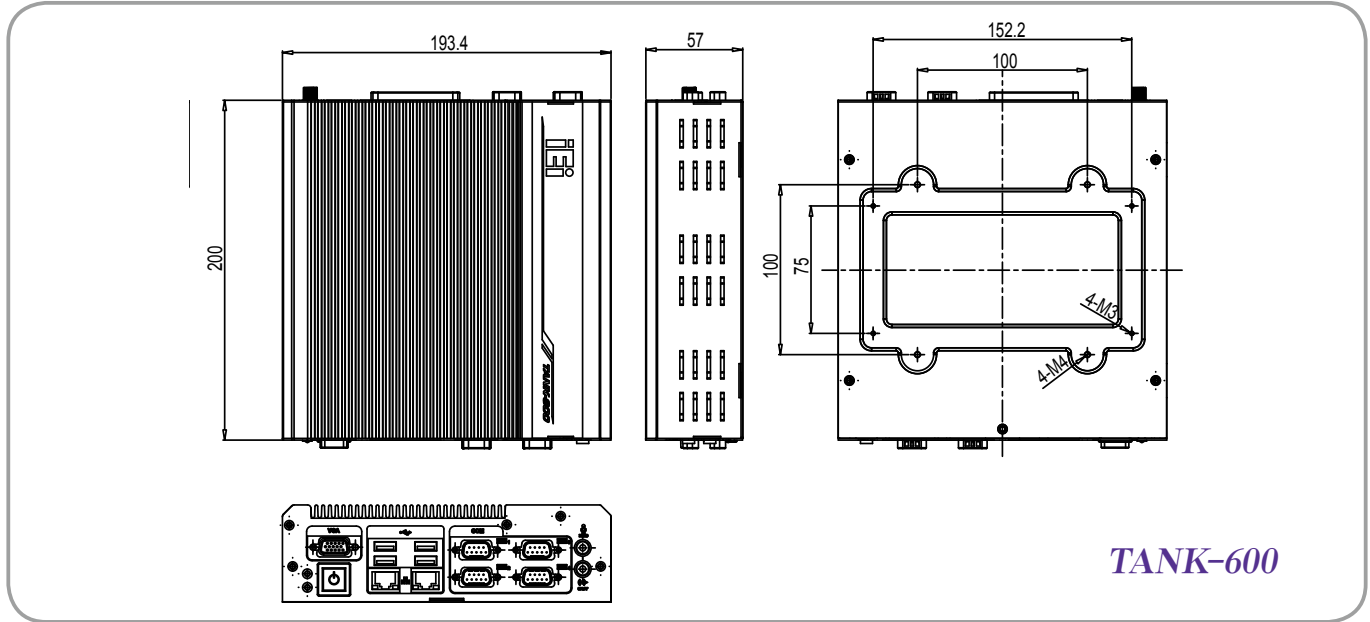
Front View



Rear View



Dimensions (Unit: mm)



TANK-600

Ordering Information

Part No.	Description
TANK-600-CV-D2550-8C/4G-R11	Fanless wide temperature embedded system with Intel® Atom™ D2550 1.86 GHz processor dual-core CPU, with 4 GB on-board DDR3 RAM, one VGA, dual GbE LAN, six USB 2.0, two RS-232/422/485, six RS-232, RoHS
TANK-600-CV-N2600-8C/2G-R11	Fanless wide temperature embedded system with Intel® Atom™ N2600 1.6 GHz processor dual-core CPU, with 2 GB on-board DDR3 RAM, one VGA, dual GbE LAN, six USB 2.0, two RS-232/422/485, six RS-232, RoHS

Options

Part No.	Description
DK-84MB	DIN mount kit for embedded system, black, RoHS
AFLWK-19	VESA 100 mount kit

Packing List

Item	Description
Power cord	Power cord, European code (VDE), 2, 1830 mm, (A) Plug (16 A 250 V) SH-005, (B) Connector (10 A 250 V) SH-006, Self-Man, CCL, RoHS
Power adapter (Meet PSE & ErP)	FSP065-REBN2, 90 V~264 V AC input, 65 W, 19 V DC output, ErP
Wall mount bracket	Wall mount bracket/holder NCT processing formation, TANK-600-CV, PAINTING, PMS 8401C, 41019-1106XX, NCT(N), SECC, VER:00, CCL, RoHS
Screw set	