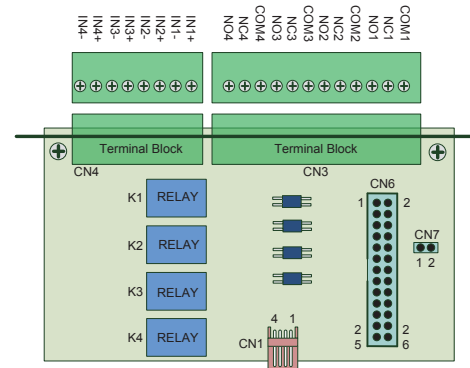
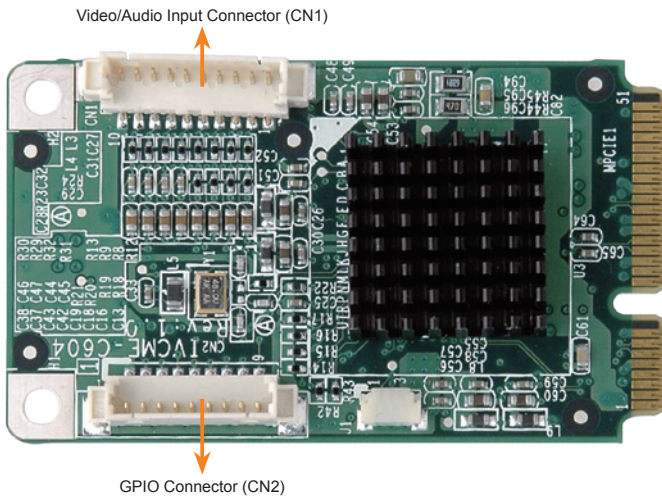


IVCME-C604

PCIe Mini Video/ Audio Capture Card with 4-Channel video/ Audio Input, Total 120fps@D1 for 4 Channels (NTSC)



Features

- Single card 4-channel composite video (NTSC/PAL) solution
- PCIe Mini card interface supported
- Compatible with Linux, Windows XP and Windows 7 (32-bit and 64-bit)
- Total 120fps @ D1 for 4 channels (NTSC)
- External GPIO daughter board with 4 inputs and 4 outputs (optional)
- SDK available for customer to create customized applications

Specifications

Interface

Video Input	4 channels composite video NTSC/PAL auto sensing
Video Input Type	BNC (BNC to DB-9 cable included)
Audio Input	4 channels analog
Audio Input Type	RCA (RCA to DB-9 cable included)
Bus Interface	PCIe Mini x1
Alarm IO	Yes

Video Processing

Video Compression	Software compression	
Video Engine	1 x Conaxant CX25854	
Resolution	NTSC: 720 x 576 720 x 480 720 x 288 720 x 240 352 x 240	PAL: 720 x 576 720 x 480 720 x 288 720 x 248
	Frame Rate	
	NTSC: Total 120fps @ D1 for 4 channels	
	PAL: Total 100fps @ D1 for 4 channels	

Audio Processing

Audio Compression	Software compression
Sampling Rate	8kHz, 16kHz, 32kHz, 44.1kHz and 48kHz
Quantization	16-bit

System Requirement

Platform	x86 PC compatible computer
Memory	512MB or above

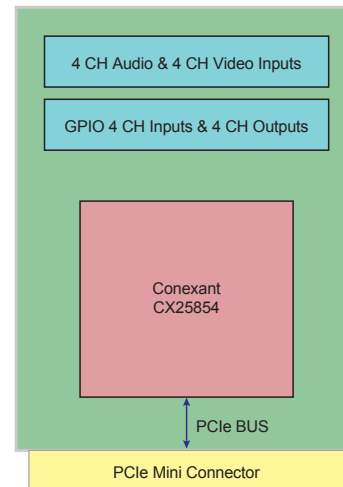
Software Support

OS Support	Microsoft Windows7 32-bit/64-bit Linux: Ubuntu 14.04 (64-bit) Kernel version: 3.13.0-32-generic
------------	--

Others

Dimensions	51 mm x 30 mm
Operating Temperature	0°C ~ 60°C, non-condensing
Power Consumption	1.65W (3.3V@0.5A)

System Block



Video/Audio Input Connector (CN1)

Pin No.	Signal
1	GND
2	Video In CH1
3	Video In CH2
4	Video In CH3
5	Video In CH4
6	Audio In CH1
7	Audio In CH2
8	Audio In CH3
9	Audio In CH4
10	GND

GPIO Connector (CN2)

Pin No.	Signal
1	GND
2	DI1
3	DI2
4	DI3
5	DI4
6	DO1
7	DO2
8	DO3
9	DO4

Packing List

- 1 x IVCME-C604 capture card
- 1 x BNC to DB-9 cable
- 1 x RCA to DB-9 cable
- 1 x Video/Audio input cable kit
- 1 x Utility CD
- 1 x QIG



Ordering Information

Part No.	Description
IVCME-C604-R10	PCIe Mini video/audio capture card with 4-channel video/ audio input, total 120fps@D1 for 4 channels (NTSC)
VIOCARD-GPIO-RS-R10	8 GPIO channels (4 digital inputs and 4 relay outputs)
32031-000100-100-RS	GPIO card to IVCME capture card connection cable