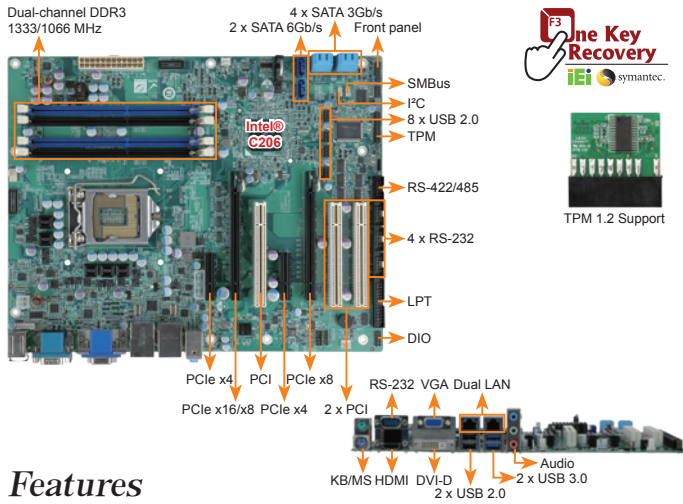


IMBA-C2060-R20

ATX motherboard supports 32nm LGA1155 Intel® Xeon® E3/Core™ i3/ Celeron® CPU per Intel® C206, DDR3, VGA/DVI/HDMI, dual Intel® PCIe GbE, USB 3.0, SATA 6Gb/s, audio and RoHS



Features

- LGA1155 Intel® Xeon® E3 and Intel® Core™ i3 processor supported
- Dual-channel 1333 MHz DDR3 supports up to 32 GB memory
- Intel® PCIe GbE with Intel® AMT 7.0 support
- Providing high-speed graphics interface by two PCIe x8/PCIe x4 add-on cards
- USB 3.0 and SATA 6Gb/s supported
- IEI One Key Recovery solution allows you to create rapid OS backup and recovery

Specifications

- ◆ CPU: LGA1155 socket supports Intel® Xeon® E3 quad-/dual-core, Core™ i3 dual-core, Celeron® dual-core
- ◆ Chipset: Intel® C206
- ◆ Memory: Four 240-pin 1333/1066 MHz dual-channel DDR3 SDRAM ECC and non-ECC unbuffered DIMMs support up to 32 GB
- ◆ BIOS: UEFI BIOS
- ◆ Ethernet: LAN1: Intel® 82574L PCIe controller; LAN2: Intel® 82579 PHY with Intel® AMT 7.0 supported
- ◆ Graphics Engine: Support for DX10.1 and OpenGL3.0, Full MPEG2, VC1, AVC Decode
- ◆ Display Output: Dual Independent Display; 1 x VGA (up to 2048x1536@75Hz); 1 x HDMI (up to 1920x1200@60Hz); 1 x DVI-D (up to 1920x1200@60Hz)
- ◆ Expansion: 2 x PCIe x16 (share 1 PCIe x16 signal); 2 x PCIe x4 slots; 3 x PCI slots
- ◆ TPM: 1 x TPM (2x10 pin)
- ◆ SMBus: 1 x SMBus (1x4 pin)
- ◆ I²C: 1 x I²C (1x4 pin)
- ◆ Audio: Realtek ALC892 HD Audio codec; 3 x Audio jacks (line-out, line-in, mic-in) on rear IO
- ◆ External I/O Interface: 1 x Front audio (2x5 pin); 1 x KB/MS; 2 x USB 2.0; 1 x RS-232; 2 x USB 3.0
- ◆ Internal I/O Interface: 1 x KB/MS (1x6 pin); 1 x LPT (2x13 pin, P=2.54); 1 x RS-422/485 (1x4 pin, P=2.0); 2 x SATA 6Gb/s (RAID 0/1/5/10 supported); 4 x RS-232 (2x5 pin, P=2.54); 4 x SATA 3Gb/s (RAID 0/1/5/10 supported); 8 x USB 2.0 (2x4 pin, P=2.54)
- ◆ Digital I/O: 8-bit digital I/O (2x5 pin)
- ◆ Watchdog Timer: Software programmable supports 1~255 sec. system reset
- ◆ Fan Connector: 1 x CPU smart fan (1x4 pin); 2 x System fan (1x3 pin)
- ◆ Power Supply: ATX power supply
- ◆ Power Consumption: 3.3V@1.61, 5V@2.79A 12V@0.50A, Vcore@5.59A, 5VSb@0.16A (Intel® Xeon® E3-1275 3.40GHz CPU with four 1333 MHz 2 GB DDR3 memory)
- ◆ Operating Temperature: -10°C ~ 60°C
- ◆ Storage Temperature: -20°C ~ 70°C
- ◆ Operating Humidity: 5% ~ 95%, non-condensing
- ◆ Dimensions: 244mm x 305mm
- ◆ Weight: GW: 1200g / NW: 700g

Packing List

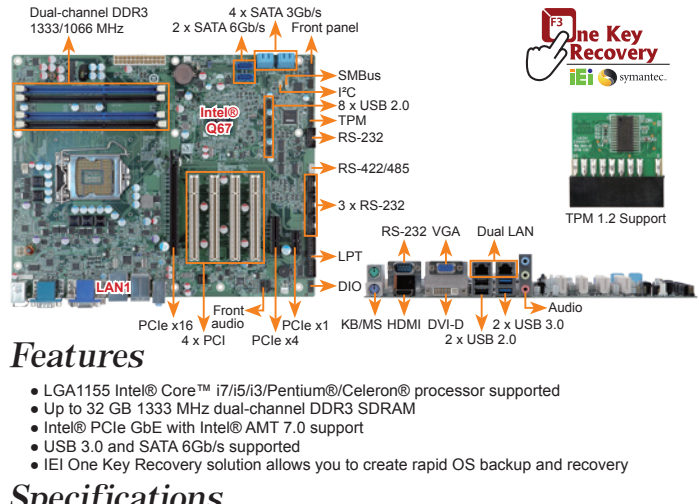
| | |
|--------------------------------------|----------------------|
| IMBA-C2060-R20 single board computer | |
| 1 x I/O shielding | 1 x Mini jumper pack |
| 4 x SATA cable | 1 x Utility CD |
| 1 x One Key Recovery CD | 1 x QIG |

Ordering Information

| Part No. | Description |
|---------------------|--|
| IMBA-C2060-R20 | ATX motherboard supports 32nm LGA1155 Intel® Xeon® E3/Core™ i3/Celeron® CPU per Intel® C206, DDR3, VGA/DVI/HDMI, dual Intel® PCIe GbE, USB 3.0, SATA 6Gb/s, Audio and RoHS |
| 19800-000049-RS | LPT flat cable, 240mm, P=2.54 |
| 19800-003100-100-RS | Dual port USB cable with bracket, 300mm, P=2.54 |
| 19800-020100-100-RS | RS-232 cable with bracket, Dual 10-pin to dual DB-9, 230mm, P=2.54 |
| 32102-000100-200-RS | SATA power cable, MOLEX 5264-4P to SATA15P |
| 32205-003800-300-RS | RS-422/485 cable, 200mm, P=2.0 |
| CF-1156A-RS-R11 | High performance LGA1155/LGA1156 cooling kit, 1U chassis compatible, 73W |
| CF-1156E-R11 | High performance LGA1155/LGA1156 cooling kit, 95W |
| TPM-IN01-R20 | 20-pin Infineon TPM module, software management tool, firmware v3.17 |

IMBA-Q670-R30

ATX motherboard supports LGA1155 Intel® Core™ i7/i5/i3/Pentium®/Celeron® CPU with Intel® Q67, DDR3, VGA/DVI-D/HDMI, dual Intel® PCIe GbE, USB 3.0, SATA 6Gb/s, HD Audio and RoHS



Features

- LGA1155 Intel® Core™ i7/i5/i3/Pentium®/Celeron® processor supported
- Up to 32 GB 1333 MHz dual-channel DDR3 SDRAM
- Intel® PCIe GbE with Intel® AMT 7.0 support
- USB 3.0 and SATA 6Gb/s supported
- IEI One Key Recovery solution allows you to create rapid OS backup and recovery

Specifications

- ◆ CPU: LGA1155 socket supports Intel® Core™ i7/i5/i3/Pentium®/Celeron® processor
- ◆ Chipset: Intel® Q67
- ◆ Memory: Four 240-pin 1333/1066 MHz dual-channel DDR3 SDRAM unbuffered DIMMs support up to 32 GB
- ◆ BIOS: UEFI BIOS
- ◆ Ethernet: LAN1: Intel® 82583V PCIe controller; LAN2: Intel® 82579 PHY with Intel® AMT 7.0 supported
- ◆ Graphics Engine: Support for DX10.1 and OpenGL3.0; Full MPEG2, VC1, AVC Decode
- ◆ Display Output: Dual Independent Display; 1 x VGA (up to 2048x1536@75Hz); 1 x HDMI (up to 1920x1200@60Hz); 1 x DVI-D (up to 1920x1200@60Hz)
- ◆ Audio: Realtek ALC662 HD Audio codec; 3 x Audio jacks (line-out, line-in, mic-in) on rear IO
- ◆ TPM: 1 x TPM (2x10 pin)
- ◆ SMBus: 1 x SMBus (1x4 pin)
- ◆ I²C: 1 x I²C (1x4 pin)
- ◆ Digital I/O: 8-bit digital I/O (2x5 pin)
- ◆ External I/O Interface: 1 x KB/MS; 2 x USB 2.0; 1 x RS-232; 2 x USB 3.0
- ◆ Internal I/O Interface: 1 x KB/MS (1x6 pin); 1 x LPT (2x13 pin, P=2.54); 1 x RS-422/485 (1x4 pin, P=2.0); 2 x SATA 6Gb/s (RAID 0/1/5/10 supported); 4 x RS-232 (2x5 pin, P=2.54); 4 x SATA 3Gb/s (RAID 0/1/5/10 supported); 8 x USB 2.0 (2x4 pin, P=2.54)
- ◆ Expansion: 1 x PCIe x16 slot; 1 x PCIe x4 slot; 4 x PCI slots
- ◆ Watchdog Timer: Software programmable supports 1~255 sec. system reset
- ◆ Fan Connector: 1 x CPU smart fan (1x4 pin); 2 x System fan (1x3 pin)
- ◆ Power Supply: ATX/AT power supply
- ◆ Power Consumption: 3.3V@1.65A, 5V@6.31A, 12V@0.18A, Vcore@7.88A, 5VSb@0.15 (Intel® Core™ i5-2400 3.10GHz CPU with four 4 GB 1333 MHz DDR3 memory)
- ◆ Operating Temperature: -10°C ~ 60°C
- ◆ Storage Temperature: -20°C ~ 70°C
- ◆ Operating Humidity: 5% ~ 95%, non-condensing
- ◆ Dimensions: 244mm x 305mm
- ◆ Weight: GW: 1200g / NW: 700g

Packing List

| | |
|-------------------------------------|----------------------|
| 1 x IMBA-Q670 single board computer | |
| 1 x I/O shielding | 1 x Mini jumper pack |
| 4 x SATA cable | 1 x Utility CD |
| 1 x One Key Recovery CD | 1 x QIG |

Ordering Information

| Part No. | Description |
|---------------------|--|
| IMBA-Q670-R30 | ATX motherboard supports LGA1155 Intel® Core™ i7/i5/i3/Pentium®/Celeron® CPU with Intel® Q67, DDR3, VGA/DVI-D/HDMI, dual Intel® PCIe GbE, USB 3.0, SATA 6Gb/s, HD Audio and RoHS |
| 19800-000049-RS | LPT flat cable, 240mm, P=2.54 |
| 19800-003100-300-RS | Dual port USB cable with bracket, 300mm, P=2.54 |
| 19800-020100-100-RS | RS-232 cable with bracket, Dual 10-pin to dual DB-9, 230mm, P=2.54 |
| 32102-000100-200-RS | SATA power cable, MOLEX 5264-4P to SATA15P |
| 32205-003800-300-RS | RS-422/485 cable, 200mm |
| CF-1156A-RS-R11 | High-performance LGA1155/LGA1156 cooler kit, 1U chassis compatible, 73W |
| CF-1156C-RS | LGA1155/LGA1156 cooler kit, 1U chassis compatible, 45W |
| CF-1156D-RS | LGA1155/LGA1156 cooler kit, 1U chassis compatible, 65W |
| CF-1156E-R11 | High-performance LGA1155/LGA1156 cooler kit, 95W |
| CPU-DT-C-G440 | Intel® Celeron® G440 processor, LGA1155, single core 1.6GHz, 1M cache, 35W, compatible with CF-1156C-RS CPU cooler |
| CPU-DT-i3-1210T | Intel® Core™ i3-1210T processor, LGA1155, dual core 2.6GHz, 3M cache, 35W, compatible with CF-1156C-RS CPU cooler |
| CPU-DT-i5-2390T | Intel® Core™ i5-2390T processor, LGA1155, dual core 2.7GHz, 3M cache, 35W, AMT, compatible with CF-1156C-RS CPU cooler |
| CPU-DT-i5-2500T | Intel® Core™ i5-2500T processor, LGA1155, quad core 2.3GHz, 6M cache, 45W, compatible with CF-1156C-RS CPU cooler |
| CPU-DT-P-G630T | Intel® Pentium® G630T processor, LGA1155, dual core 2.3GHz, 3M cache, 35W, compatible with CF-1156C-RS CPU cooler |
| TPM-IN01-R20 | 20-pin Infineon TPM module, software management tool, firmware v3.17 |