

C1D2 Series

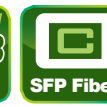
PPC-5152-D525-E

Intel® Atom™ D525 Dual Core Processor



Features

- Zone 2 certified for hazardous area application
- Robust aluminum with IP 64 compliant front bezel design
- 5-wire resistive touch
- Intel® Atom™ D525 1.8GHz dual-core CPU with fanless design
- 15" 400 nits LED backlight panel with 1024 x 768 resolution
- Two USB 3.0, two USB 2.0 and five COM ports available
- Flexible expansion interface (two PCI slots or one PCI slot + one PCIe slot)
- Dual (10/100/1000BASE-T(X)) gigabit LAN port



Specifications

| Model | | PPC-5152-D525-E/R/1G-R10 |
|------------------------|-------------------------------|--|
| Display | LCD Size | 15" |
| | Max Resolution | 1024(W) x 768(H) |
| | Brightness (cd/m²) | 400 |
| | Contrast Ratio | 500:1 |
| | LCD Color | 16.2M |
| | Pixel Pitch (mm) (HxV) | 0.1095 (H) x 0.1095 (V) |
| | Viewing Angle (V/H) | 160° / 140° |
| | Backlight MTBF (hrs) | 50,000 |
| Touch | Touchscreen & Controller | 5-wire resistive type with RS-232 interface / DMC 9000 |
| | Hardness | ≥3H (follows JIS K 5600 standard, uses Mitsubishi Pencil 500g) |
| Motherboard | SBC | PPCMB-5152A-D525 |
| | CPU | Intel® Atom™ D525 processor (dual-core, 1.8 GHz) |
| | Chipset | Intel® ICH8M |
| | RAM | 1 x 204-pin 1GB DDR3 SO-DIMM slot (system max. 4GB) |
| | Ethernet | Realtek RTL8111E PCIe GbE controller supporting ASF 2.0 |
| I/O Ports and Switches | | 2 x RS-232 (DB-9 connector) 1 x RS-232 or RS-422/485 (DB-9 connector) 2 x RS-422/485 (RJ-45 connector) 2 x USB 2.0 connector 2 x USB 3.0 connector VGA port (DB-15 connector) AT/ATX switch 2 x RJ-45 Gigabit LAN Reset button |
| Drive Bay | HDD Drive Bay | One 2.5" SATA HDD/SSD bay |
| | SSD | CF Type II socket |
| Physical | Front Panel Construction | Aluminum |
| | Chassis Construction | Heavy duty steel (SECC) |
| | Mounting | Panel, wall, rack, stand and arm (VESA 100 mm x 100 mm) |
| | Front Panel Color | Silver, Pantone PMS 8401C |
| | Dimensions (WxHxD) (mm) | 422 x 331 x 80 |
| | Cut Out Dimensions (WxH) (mm) | 390 x 290 |
| Net/Gross Weight | | 6.5 kg/7.0 kg |
| Expansion Slot | | Two PCI slots or one PCI slot plus one PCIe x1 slot |
| System Cooling | | Burglar-proof internal USB 2.0 port Fanless |
| Environment | Operating Temperature | -20°C ~ 50°C |
| | Storage Temperature | -30°C ~ 80°C |
| | Vibration | MIL-STD-810F 514.5C-2 (with CF card or SSD) |
| | Shock | Half-sine wave shock 3G; 11ms; 3 shocks per axis |
| | IP level | IP 64 compliant front panel |
| | Safety & EMC | CE / FCC / C1D2 |
| Power | Power Adapter | DSP 90W power adapter (FSP090-D2BA1) Input: 100VAC~240VAC, 50/60Hz Output: 19V DC |
| | Power Requirement | 9~36V DC jack |
| | Consumption | 50W without add-on card |

Ordering Information

| | Part No. | Description |
|-------------------|--------------------------------|--|
| 15" | PPC-5152-D525-E/R1G-R10 | 15" 400 cd/m ² XGA fanless panel PC, Intel® Atom™ D525 1.8GHz CPU, 1GB DDR3 RAM, silver color, touchscreen, ANSI C1D2 SKU |
| Riser Card | PPCDB-PCI/PCI-E-R10 | Riser card with PCI and PCIe interfaces for PPC-5152-D525-E, R10 |
| | PPCDB-PCI-R10 | Riser card with two PCI interfaces for PPC-5152-D525-E, R10 |

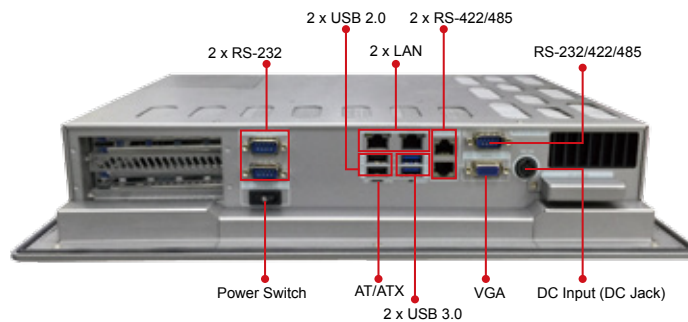
Options

| Item | P/N | Description |
|----------------------------------|--|-------------|
| Panel Mounting Kit | PK-170M | |
| Wall Mounting Kit | WK-190MS-R10 | |
| Rack Mounting Kit | RK-150MS2-R10 | |
| Arm | ARM-11-RS/ARM-31-RS | |
| Stand | STAND-A19-RS/STAND-A21-R10/ STAND-210-R11 | |
| OS: Win XPE (4GB CF Card) | PPCCF-5152-D525-XPE-4G-R10 | |
| OS: Win 7 Embedded (4GB CF Card) | PPCCF-5152-D525-WES7E-4G-R10 | |

Packing List

| Item | P/N | Q'ty | Description |
|--------------------------------|---------------------|------|--|
| Utility CD | 7B000-000732-RS | 1 | Drivers and user manual |
| One Key Recovery CD | | 1 | |
| VESA Mounting Screw | 44033-040062-RS | 4 | M4*6 for securing stand bracket |
| Chassis Screw | 44013-030041-RS | 4 | M3*4 chassis screw for backup |
| Capture Card Screw | 44003-030062-RS | 4 | M3*5 capture card screw for backup |
| VESA Fastener | 19200-000024-RS | 6 | |
| HDD Screw | 44043-030051-RS | 4 | |
| Pluggable DC-in Terminal Block | 33101-000897-RS | 1 | |
| RJ-45 to DB-9 COM Port Cable | 32005-000700-100-RS | 2 | |
| Touch Pen | 43125-0002C0-00-RS | 1 | |
| IR Remote Controller | 7Z000-SLPCB005-RS | 1 | |
| Power Adapter | 63040-010090-100-RS | 1 | FSP090-DIEBN2, 90V~264V AC input, 90W, 19V DC output |
| Power Cord | 32702-000401-100-RS | 1 | 1500 mm, european standard |
| Power Transfer Cord | 32702-000300-100-RS | 1 | |

PPC-5152-D525-E Fully Integrated I/O



PPC-5152-D525-E Dimensions (Unit: mm)

