

Medical Strategy of IEI Group



Providing better services from both IEI and BriteMED

IEI promises to provide our own-brand products continually as well as serving ODM vertical markets to offer complete, professional and flexible services. Learning from various medical product designs and manufacturing experiences, we found that the medical grade computer locates in a highly customized and professional product segment. For this reason, we planned to expand the market share in the medical field, and our medical business unit was then separated from the mother company to become an independent company called BriteMED on August 1st in 2009.

Population aging and technology improved day by day are the worldwide phenomenons which make the medical application become friendlier, such as healthcare digitalization (paper-less and automatic data collection), healthcare mobility and telemedicine. To provide our customers better services, we divide R&D works into two parts - by IEI and by BriteMED.



Medical IT for general healthcare



Medical Panel PC



AI Box PC



Medical Embedded Box

Medical devices for clinical use



Medical Monitor



E-Medical Cart

All-in-one Medical Grade Panel PC

Medical Certifications



FCC Class B



CE 60601-1-2



UL 60601-1



User-friendly-oriented design is always the core value of us. IEI's all-in-one medical grade panel PC series offers four product lines to accommodate all healthcare needs. All products are equipped with antibacteria chassis and IP65 front bezel for easy sterilization. The integrated touchscreen can be operated whilst wearing multiple gloves. In addition, the products we designed support various communication functions, such as Bluetooth, 1D/2D barcode scanner, RFID, SCR and MSR. These panel PCs can provide convenience to clinicians and increase their work efficiency.



POC Series

Point-of-care terminal

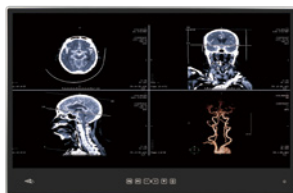
- Rich bottom I/O
- High-performance system with smart fan (or fanless)
- Ambient light sensor for panel brightness adjustment



POCm Series

Mobile point-of-care terminal

- Lightweight design: under 6.8kg without battery
- Fanless system with high performance
- 3 hot-swappable batteries with battery management utility



POCi Series

Intelligent point-of-care terminal

- Ultra-slim front bezel
- Fanless system with high performance
- PCIe x4 expansion
- Optional DICOM preset



IASO Series

Light medical panel PC

- 10.1"/15.6" Medical Panel PC
- Light bars at both side
- Remote device management
- Elkhart Lake platform

Selection Guide



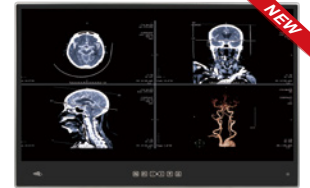
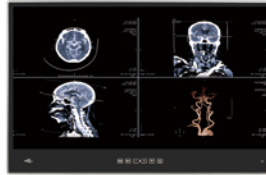
Series		POC	
Model		POC-17C-ULT3	POC-W24C-ULT3
LCD Specifications	LCD Size	17" (5:4)	24"
	Max. Resolution (W / H)	1280 x 1024	1920 x 1080
	Brightness (cd/m ²)	350	250
	Contrast Ratio	1000:1	1000:1
	LCD Color	16.7M	16.7M colors (RGB 6-bit + HI_FRC)
	Pixel Pitch (H / V)	0.264 x 0.264 mm	0.2745 x 0.2745 mm
	Viewing Angle (H / V)	170° / 160°	178° / 178°
	Backlight MTBF (hrs)	30,000 (LED backlight)	30,000 (LED backlight)
Touch	Touchscreen	Projected capacitive type with 10-point multi-touch	Projected capacitive type with 10-point multi-touch
	Touch Controller	EETI	EETI
	Surface Hardness	6H	6H
System	CPU Support	6th Gen Intel® mobile ULT Core™ i7-6600U / Core™ i5-6300U / Celeron® 3855U	6th Gen Intel® mobile ULT Core™ i7-6600U / Core™ i5-6300U / Celeron® 3855U 7th Gen Intel® mobile ULT Kaby Lake on-board SoC (By project base)
	RAM	Two 260-pin 2400/2133MHz dual-channel DDR4 SO-DIMM, 4GB pre-installed (system max.32GB)	Two 260-pin 2400/2133MHz dual-channel DDR4 SO-DIMM, 4GB pre-installed (system max. 32GB)
	Storage	1 x mSATA (E-Window) 2 x 2.5" SATA 6Gb/s accessible HDD bay with RAID 0,1 (RAID function only for Core™ i5 and Core™ i7)	1 x mSATA (E-Window) 1 x 2.5" SATA 6Gb/s HDD/SDD bay
	Audio	2 x 2W speaker	2 x 3W speaker
	Camera & Microphone	2-megapixel CMOS front-facing camera with auto-focus and digital microphone	5-megapixel CMOS front-facing camera with auto-focus and digital microphone
	I/O Port	1 x HDMI output 1 x 12~28V DC jack 1 x RS-232/422/485 1 x RJ-11 for 1D/2D barcode reader	2 x GbE LAN port 4 x USB 3.2 Gen 1 port 4 x USB 2.0 port (2 on the side)
	OSD Function	1 x LCD on/off 1 x Volume up 1 x Volume down 1 x Brightness up 1 x Brightness down 1 x Touch lock button for cleaning	Combinations: 1 x Lock/Unlock OSD 1 x Power on/off
	Expansion	1 x E-Window slot (Full-size PCIe Mini slot with PCIe / mSATA / USB)	1 x PCIe Mini reserved for E-Window expansion
	LED	1 x RFID indicator	1 x RFID indicator
	Wi-Fi & Bluetooth	IEEE 802.11 a/b/g/n/ac 2T2R module with BT V4.1 (M.2 2230 A-E key)	IEEE 802.11 a/b/g/n/ac 2T2R module with BT V4.1 (M.2 2230 A-E key)
	Other Features	Auto-dimming	Yes
Light Sensor		-	Ambient light sensor for panel brightness adjustment
Physical	Construction Material	ABS+PC plastic with anti-bacterial material pantone RAL 9016 (Apple white)	ABS+PC plastic with anti-bacterial material
	Mounting	Wall, Stand and Arm VESA 100/75	Wall, Stand and Arm VESA 100/75
	Weight (Net)	6.0 Kg	7.5 Kg
	Dimensions (LxWxH)	435 x 64.5 x 376 mm	594.6 x 60.68 x 379.6 mm
Environment	Operating Temperature	0°C~40°C	0°C~40°C
	Storage Temperature	-20°C~65°C	-20°C~60°C
	Humidity	10% to 95% (non-condensing)	10% to 95% (non-condensing)
	Vibration	1G	1G
	Shock	Operating shock: 5G peak acceleration (11ms duration) Non-operating shock: 15G peak acceleration (11ms duration)	Operating shock: 5G peak acceleration (11ms duration) Non-operating shock: 15G peak acceleration (11ms duration)
	IP Level	Front: IP65	Front: IP65
	Thermal	Fanless	Fanless
Power	Power Input	19V DC input	19V DC input
	Power Adapter	150W medical power adapter	150W medical power adapter
Certification	EMC & Safety	CE, FCC Class B Part 18 IEC 60601-1: 2005+AMD1: 2012 (Edition 3.1) IEC 60601-1-2: 2014 (Edition 4.0)	CE, FCC Class B Part 18 IEC 60601-1: 2005+AMD1: 2012 (Edition 3.1) IEC 60601-1-2: 2014 (Edition 4.0)

Selection Guide



Series		POCm	
Model		POCm-W22C-ULT3	POCm-W24C-ULT3
LCD Specifications	LCD Size	21.5" (16:9)	23.8"
	Max. Resolution (W / H)	1920 x 1080	1920 x 1080
	Brightness (cd/m ²)	250	250
	Contrast Ratio	1000:1	1000:1
	LCD Color	16.7M colors (RGB 6-bit)	16.7M colors (RGB 6-bit)
	Pixel Pitch (H / V)	0.24825 x 0.24825 mm	0.2745 x 0.2745 mm
	Viewing Angle (H / V)	170° / 160°	178° / 178°
	Backlight MTBF (hrs)	30,000 (LED backlight)	30,000 (LED backlight)
Touch	Touchscreen	Projected capacitive type with 10-point multi-touch	Projected capacitive type with 10-point multi-touch
	Touch Controller	EETI	EETI
	Surface Hardness	6H	6H
System	CPU Support	6th Gen Intel® mobile ULT Core™ i7-6600U / Core™ i5-6300U / Celeron® 3855U	6th Gen Intel® mobile ULT Core™ i7-6600U / Core™ i5-6300U / Celeron® 3855U
	LAN Controller	1 x Intel® I211 Ethernet Controller 1 x Intel® I219 Ethernet Controller (AMT 12.x supported by i7/i5 SKUs)	1 x Intel® I211 Ethernet Controller 1 x Intel® I219 Ethernet Controller (AMT 12.x supported by i7/i5 SKUs)
	RAM	Two 260-pin 2400/2133MHz dual-channel DDR4 SO-DIMM, 4GB pre-installed (system max. 32GB)	Two 260-pin 2400/2133MHz dual-channel DDR4 SO-DIMM, 4GB pre-installed (system max. 32GB)
	Storage	1 x 2.5" Accessible SATA HDD bay 2 x 2280 M key (PCIe x1/SATA) with RAID	1 x 2.5" Accessible SATA HDD bay 2 x 2280 M key (PCIe x1/SATA) with RAID
	Audio	2 x 2W speaker	2 x 2W speaker
	Camera & Microphone	5-megapixel CMOS front-facing camera with auto-focus and digital microphone	5-megapixel CMOS front-facing camera with auto-focus and digital microphone
	I/O Port	Bottom 1 x DC Jack 1 x Digital Mic 2 x HDMI output 2 x GbE LAN port 2 x RS-232/422/485 4 x USB 3.2 Gen 1 port	Side 1 x Mic in 1 x Audio out 2 x USB 2.0 port
	OSD Function	1 x System on/off 1 x Volume up 1 x Volume down	1 x Brightness up 1 x Brightness down 1 x LCD on/off and touch lock for cleaning
	Expansion	1 x Full-size/half-size PCIe Mini (PCIe+USB)	1 x Full-size/half-size PCIe Mini (PCIe+USB)
	LED	1 x RFID indicator 1 x Power indicator 3 x Battery indicator (color: blue/red)	1 x RFID indicator 1 x Power indicator 3 x Battery indicator (color: blue/red)
	Wi-Fi & Bluetooth	IEEE 802.11 a/b/g/n/ac 2T2R module with BT V4.2 (M.2 2230 A-E key)	IEEE 802.11 a/b/g/n/ac 2T2R module with BT V4.2 (M.2 2230 A-E key)
Physical	Construction Material	ABS+PC plastic with anti-bacterial material	ABS+PC plastic with anti-bacterial material
	Mounting	Wall, Stand and Arm VESA 75/100	Wall, Stand and Arm VESA 75/100
	Weight (Net / Gross)	7.07 kg without batteries / 8.43 kg with 3 batteries	8.18 kg without batteries / 9.53 kg with 3 batteries
	Dimensions (LxWxH)	543 x 71 x 350 mm	594.6 x 71 x 379.6 mm
Environment	Operating Temperature	0°C~40°C	0°C~40°C
	Storage Temperature	-20°C~60°C	-20°C~60°C
	Humidity	10% to 90% (non-condensing)	10% to 90% (non-condensing)
	Vibration	1G	1G
	Shock	Operating shock: 5G peak acceleration (11ms duration) Non-operating shock: 10G peak acceleration (11ms duration)	Operating shock: 5G peak acceleration (11ms duration) Non-operating shock: 10G peak acceleration (11ms duration)
	IP Level	Front: IP65, Back: IP32	Front: IP65, Back: IP32
	Thermal	Fanless	Fanless
Power	Power Input	19V DC input	19V DC input
	Power Adapter	150W medical power adapter	150W medical power adapter
	Battery	3 slots for Li-ion battery pack	3 slots for Li-ion battery pack
Certification	EMC & Safety	CE, FCC Class B Part 18 IEC 60601-1-2: 2014 (Edition 4.0) IEC 60601-1:2005+AMD1:2012 (Edition 3.1)	CE, FCC Class B Part 18 IEC 60601-1-2: 2014 (Edition 4.0) IEC 60601-1:2005+AMD1:2012 (Edition 3.1)

Selection Guide



Series		POCi		
Model		POCi-W22C-ULT5	POCi-W24C-ULT5	
LCD Specifications	LCD Size	21.5" (16:9)	23.8" (16:9)	
	Max. Resolution (W / H)	1920 x 1080	1920 x 1080	
	Brightness (cd/m ²)	250	250	
	Contrast Ratio	1000:1	1000:1	
	LCD Color	16.7M RGB 6-bit (Hi-FRC)	16.7M RGB 6-bit (Hi-FRC)	
	Pixel Pitch (H / V)	0.24795 x 0.24795 mm	0.2745 x 0.2745 mm	
	Viewing Angle (H / V)	178° / 178°	178° / 178°	
	Backlight MTBF (hrs)	30,000 (LED backlight)	30,000 (LED backlight)	
Touch	Touchscreen	Projected capacitive type with 10-point multi-touch	Projected capacitive type with 10-point multi-touch	
	Touch Controller	EETI (80H84)	EETI (80H84)	
	Surface Hardness	6H	6H	
	Coating	Chemical etching AG	Chemical etching AG	
System	CPU Support	Intel® Core™ i7-8665UE (Whiskey Lake ULT platform) Intel® Core™ i5-8365UE (Whiskey Lake ULT platform)	Intel® Core™ i7-8665UE (Whiskey Lake ULT platform) Intel® Core™ i5-8365UE (Whiskey Lake ULT platform)	
	LAN Controller	1 x Intel® I211 Ethernet Controller 1 x Intel® I219 Ethernet Controller (AMT 12.x supported by i7/i5 SKUs)	1 x Intel® I211 Ethernet Controller 1 x Intel® I219 Ethernet Controller (AMT 12.x supported by i7/i5 SKUs)	
	RAM	Two 260-pin 2400/2133MHz dual-channel DDR4 SO-DIMM, 4GB pre-installed (system max. 64GB)	Two 260-pin 2400/2133MHz dual-channel DDR4 SO-DIMM, 4GB pre-installed (system max. 64GB)	
	Storage	1 x M.2 2242/60/80 M key (PCIe x4) 1 x 2.5" accessible SATA HDD/SSD bay	1 x M.2 2242/60/80 M key (PCIe x4) 1 x 2.5" accessible SATA HDD/SSD bay	
	Audio	2 x 2W speaker	2 x 2W speaker	
	I/O Port	Bottom 1 x DC jack 1 x HDMI 1.4 output 1 x Isolated 1.5kV RS-232 1 x Combo audio-out / mic-in 1 x Isolated Gigabit LAN (I211) 1 x Isolated Gigabit LAN (I219 supports Intel® vPro) 4 x USB 3.2 Gen 2 port	Side 2 x USB 2.0 port	
	OSD Function	1 x Power on/off 1 x Reading light on/off 1 x Backlight brightness up	1 x Backlight brightness down 1 x Clean mode on/off 1 x DICOM mode app on/off (optional)	
	Expansion	1 x PCIe x4	1 x PCIe x4	
	LED	1 x RFID indicator (optional) 2 x LED reading light	1 x RFID indicator (optional) 2 x LED reading light	
	Wi-Fi & Bluetooth	IEEE 802.11 ax 2T2R module (Wi-Fi 6 Module) with BT V5.0 (M.2 2230 A-E key)	IEEE 802.11 ax 2T2R module (Wi-Fi 6 Module) with BT V5.0 (M.2 2230 A-E key)	
	Physical	Construction Material	Front bezel: Aluminum die-casting Rear cover: ABS+PC plastic (chemical resistant)	Front bezel: Aluminum die-casting Rear cover: ABS+PC plastic (chemical resistant)
		Mounting	Wall, Stand and Arm VESA 75/100	Wall, Stand and Arm VESA 75/100
Weight (Net)		6.9 kg	8.1 kg	
Dimensions (LxWxH)		507.5 x 64.5 x 335.5 mm	567 x 63.9 x 370.6 mm	
Environment	Operating Temperature	0°C~40°C	0°C~40°C	
	Storage Temperature	-20°C~60°C	-20°C~60°C	
	Humidity	10% to 95% (non-condensing)	10% to 95% (non-condensing)	
	Vibration	1G	1G	
	Shock	Operating shock: 5G peak acceleration (11ms duration) Non-operating shock: 15G peak acceleration (11ms duration)	Operating shock: 5G peak acceleration (11ms duration) Non-operating shock: 15G peak acceleration (11ms duration)	
	IP Level	Front: IP66	Front: IP66	
	Thermal	Fanless	Fanless	
Power	Power Input	19V DC input	19V DC input	
	Power Adapter	150W medical power adapter	150W medical power adapter	
	Battery	3S3P Li-ion battery pack, 11.1V, 7800mAh (optional)	3S3P Li-ion battery pack, 11.1V, 7800mAh (optional)	
	Built-in Medical Power	150W, 85~264 VAC, medical power supply (optional)	150W, 85~264 VAC, medical power supply (optional)	
Certification	EMC & Safety	CE, FCC Class B Part 18 EN 60601-1-2: 2015 (Edition 4.0) EN 60601-1:2006/A1:2013 (Edition 3.1)	CE, FCC Class B Part 18 EN 60601-1-2: 2015 (Edition 4.0) EN 60601-1:2006/A1:2013 (Edition 3.1)	

Point-of-Care Terminal

POC-17C-ULT3 | 17" Medical Panel PC with 6th Generation Intel® mobile ULT Core™ i7/i5/Celeron® processor

Features

- 17" 5:4 LED panel (1280 x 1024)
- 6th Generation Intel® mobile ULT Core™ i7-6600U / Core™ i5-6300U / Celeron® 3855U
- Projected capacitive type with 10-point multi-touch
- IP65 compliant front bezel
- Anti-bacteria cover
- RAID function supported (RAID 0 and RAID 1) (only for Core™ i5 or Core™ i7)



● Built-in Camera Cover

The camera cover protects the privacy of patients. The built-in design also makes the maintenance more convenient, and prevents cover loss.



● RAID 0 and RAID 1 Function

The RAID 0/1 capability offers redundancy through mirroring - data is written identically to two drives. Users in the hospital will not need to worry about data lost anymore. (only for Core™ i5 or above)



● E-Window for Multiple Expansion

The reserved PCIe Mini slot for expansion helps system integrators add more functions easily without any additional cost efforts.



E-Window

● Front IP65 Compliance

Easy to clean the front panel by spray and wipe detergent.

● Advanced Touchscreen for Saline

The PCAP touch not only supports multi-touch function but also provides smooth control when operating with gloves. Moreover, we cooperate with our suppliers to work hard on avoiding the accidental operating from sterile saline.



Specifications

Model		POC-17C-ULT3
LCD Specifications	LCD Size	17" (5:4)
	Max. Resolution (W / H)	1280 x 1024
	Brightness (cd/m ²)	350
	Contrast Ratio	1000:1
	LCD Color	16.7M
	Pixel Pitch (H / V)	0.264 x 0.264 mm
	Viewing Angle (H / V)	170° / 160°
	Backlight MTBF (hrs)	30,000 (LED backlight)
Touch	Touchscreen	Projected capacitive type with 10-point multi-touch
	Touch Controller	EETI
	Surface Hardness	6H
System	CPU Support	6th Gen Intel® mobile ULT Core™ i7-6600U / Core™ i5-6300U / Celeron® 3855U
	RAM	Two 260-pin 2400/2133MHz dual-channel DDR4 SO-DIMM, 4GB pre-installed (system max.32GB)
	Storage	1 x mSATA (E-Window) 2 x 2.5" SATA 6Gb/s accessible HDD bay with RAID 0,1 (RAID function only for Core™ i5 and Core™ i7)
	Audio	2 x 2W Speaker
	Camera & Microphone	2-megapixel CMOS front-facing camera with auto-focus and digital microphone
	I/O Port	1 x HDMI output 1 x 12~28V DC jack 1 x RS-232/422/485 1 x RJ-11 for 1D/2D barcode reader 2 x GbE LAN port 4 x USB 3.2 Gen 1 port 4 x USB 2.0 port (2 on the side)
	OSD Function	1 x LCD on/off 1 x Volume up 1 x Volume down 1 x Brightness up 1 x Brightness down 1 x Touch lock button for cleaning Combinations: 1 x Lock/Unlock OSD 1 x Power on/off
	Expansion	1 x E-Window slot (Full-size PCIe Mini slot with PCIe / mSATA / USB)
	LED	1 x RFID indicator
	Wi-Fi & Bluetooth	IEEE 802.11 a/b/g/n/ac 2T2R module with BT V4.1 (M.2 2230 A-E key)
	Other Features	Auto-dimming Yes
Physical	Construction Material	ABS+PC plastic with anti-bacterial material pantone RAL 9016 (Apple white)
	Mounting	Wall, Stand and Arm VESA 100/75
	Weight (Net)	6.0 Kg
	Dimensions (LxWxH)	435 x 64.5 x 376 mm
Environment	Operating Temperature	0°C~40°C
	Storage Temperature	-20°C~65°C
	Humidity	10% to 95% (non-condensing)
	Vibration	1G
	Shock	Operating shock: 5G peak acceleration (11ms duration) Non-operating shock: 15G peak acceleration (11ms duration)
	IP Level	Front: IP65
	Thermal	Fanless
Power	Power Input	19V DC input
	Power Adapter	150W medical power adapter
Certification	EMC & Safety	CE, FCC Class B Part 18 IEC 60601-1: 2005+AMD1: 2012 (Edition 3.1) IEC 60601-1-2: 2014 (Edition 4.0)

Ordering Information

Part No.	Description
POC-17C-ULT3-C/PC/4G-R10	17" 350 cd/m ² 1280x1024 Panel PC with 6th generation 14nm Intel® mobile Celeron® 3855U (15W) 1.6GHz on-board processor (ULT), one 4GB DDR4 RAM, 802.11a/b/g/n/ac Wi-Fi module, PCAP touchscreen, 2-megapixel camera, microphone, R10
POC-17C-ULT3-i5/PC/4G-R10	17" 350 cd/m ² 1280x1024 Panel PC with 6th generation 14nm Intel® mobile Core™ i5-6300U (15W) 2.4GHz on-board processor (ULT), one 4GB DDR4 RAM, 802.11a/b/g/n/ac Wi-Fi module, PCAP touchscreen, 2-megapixel camera, microphone, R10
POC-17C-ULT3-i7/PC/4G-R10	17" 350 cd/m ² 1280x1024 Panel PC with 6th generation 14nm Intel® mobile Core™ i7-6600U (15W) 2.6GHz on-board processor (ULT), one 4GB DDR4 RAM, 802.11a/b/g/n/ac Wi-Fi module, PCAP touchscreen, 2-megapixel camera, microphone, R10

Options

Number	Description
MEDP-HD-R10	Metal handle covered with soft rubber
MEDP-MF-RFID-R11	Mifare RFID reader, 13.56MHz, with LED indicator and 100mm antenna, IEI assembly only
MEDP-TPM-02-R10	Trusted platform module kit with 300mm cable, IEI assembly only
POC-17C-ULT3-W10E64-V-R10	OS Image with Windows Embedded Standard 10 E Value 64-bit for POC-17C/W24C Series, with DVD-ROM, RoHS
POCP-CC03-R10	POC-17C-ULT3 cable cover, white, plastic, R10

IQ Mounting Options

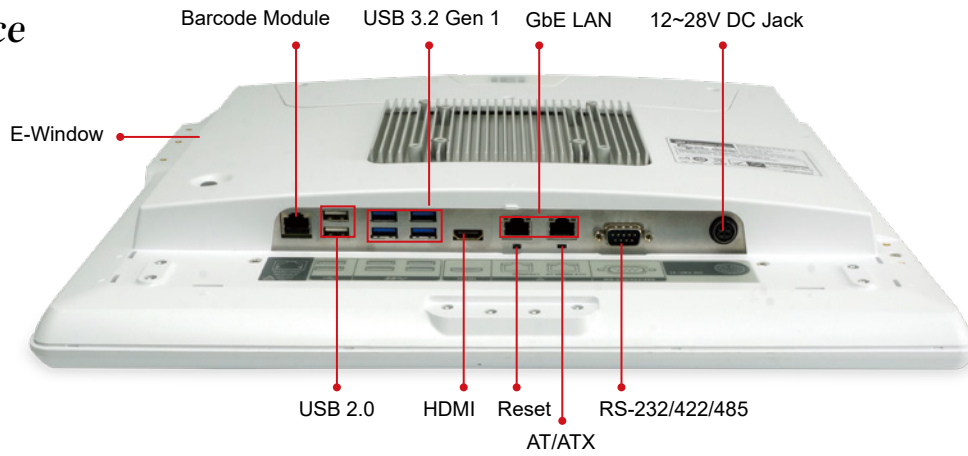
Item	Part No.
Wall Mount Kit	AFLWK-19B
Arm	ARM-31-RS
Stand	STAND-A21-R10

Packing List

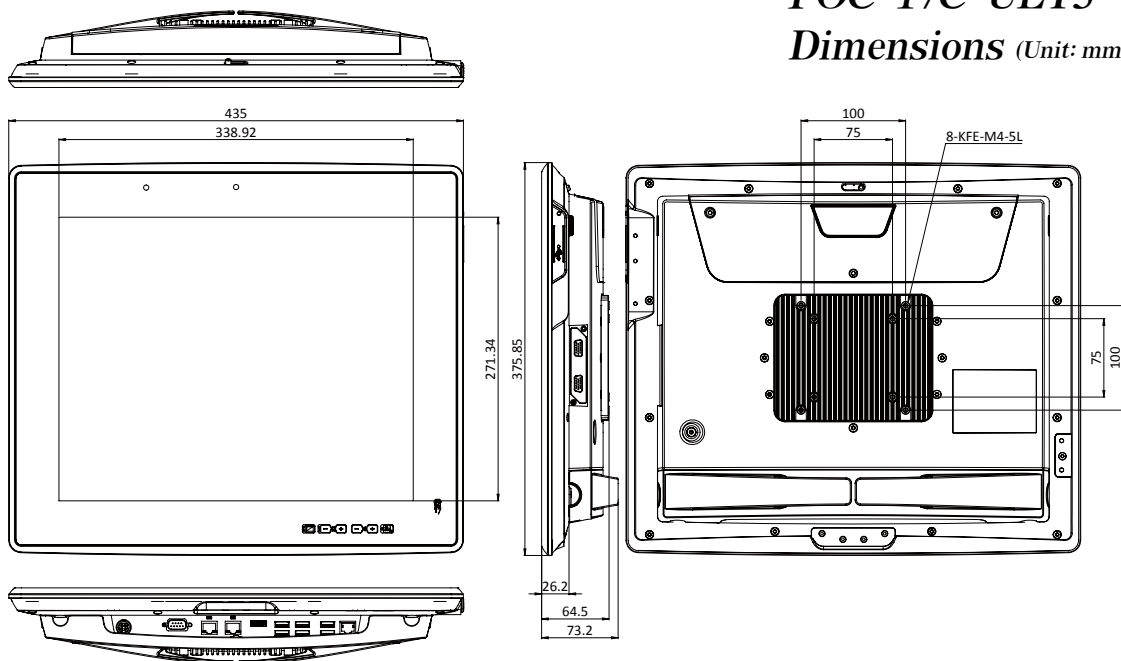
Item	Part No.	Q'ty	Remark
Power Adapter	63040-010150-400-RS	1	150W medical power adapter Input: 90V~264V AC, Output: 19V DC
Power Cord		1	European power cord, 183 cm, C13



POC-17C-ULT3 I/O Interface



POC-17C-ULT3 Dimensions (Unit: mm)



Point-of-Care Terminal

POC-W24C-ULT3 | 24" Medical Panel PC with 6th Generation Intel® mobile ULT Core™ i7/i5/Celeron® processor

Features

- E-Window expansion slot
- Intel® Core™ i5-6300U (Skylake) processor
- Anti-bacteria housing with IP65 front bezel and IP32 rear cover protection
- PCAP touch allows multi-touch, multi-layer gloves and water on screen operation



Specifications

Model	POC-W24C-ULT3		
LCD Specifications	LCD Size	24"	
	Max. Resolution (W / H)	1920 x 1080	
	Brightness (cd/m ²)	250	
	Contrast Ratio	1000:1	
	LCD Color	16.7M colors (RGB 6-bit + HI_FRC)	
	Pixel Pitch (H / V)	0.2745 x 0.2745 mm	
	Viewing Angle (H / V)	178° / 178°	
Touch	Backlight MTBF (hrs)	30,000 (LED backlight)	
	Touchscreen	Projected capacitive type with 10-point multi-touch	
	Touch Controller	EETI	
System	Surface Hardness	6H	
	CPU Support	6th Gen Intel® mobile ULT Core™ i7-6600U / Core™ i5-6300U / Celeron® 3855U 7th Gen Intel® mobile ULT Kaby Lake on-board SoC (By project base)	
	RAM	Two 260-pin 2400/2133MHz dual-channel DDR4 SO-DIMM, 4GB pre-installed (system max. 32GB)	
	Storage	1 x mSATA (E-Window) 1 x 2.5" SATA 6Gb/s HDD/SDD bay	
	Audio	2 x 3W speaker	
	Camera & Microphone	5-megapixel CMOS front-facing camera with auto-focus and digital microphone	
	I/O Port	1 x HDMI output 1 x 12~28V DC jack 1 x RS-232/422/485 1 x RJ-11 for 1D/2D barcode reader	2 x GbE LAN port 4 x USB 3.2 Gen 1 port 4 x USB 2.0 port (2 on the side)
	OSD Function	1 x LCD on/off 1 x Volume up 1 x Volume down 1 x Brightness up 1 x Brightness down 1 x Touch lock button for cleaning	Combinations: 1 x Lock/Unlock OSD 1 x Power on/off
	Expansion	1 x PCIe Mini reserved for E-Window expansion	
	LED	1 x RFID indicator	
Other Features	Wi-Fi & Bluetooth	IEEE 802.11 a/b/g/n/ac 2T2R module with BT V4.1 (M.2 2230 A-E key)	
	Auto-dimming	Yes	
	Light Sensor	Ambient light sensor for panel brightness adjustment	
Physical	Construction Material	ABS+PC plastic with anti-bacterial material	
	Mounting	Wall, Stand and Arm VESA 100/75	
	Weight (Net)	7.5 Kg	
Environment	Dimensions (LxWxH)	594.6 x 60.68 x 379.6 mm	
	Operating Temperature	0°C~40°C	
	Storage Temperature	-20°C~60°C	
	Humidity	10% to 95% (non-condensing)	
	Vibration	1G	
	Shock	Operating shock: 5G peak acceleration (11ms duration) Non-operating shock: 15G peak acceleration (11ms duration)	
	IP Level	Front: IP65	
Power	Thermal	Fanless	
	Power Input	19V DC input	
Certification	Power Adapter	150W medical power adapter	
	EMC & Safety	CE, FCC Class B Part 18 IEC 60601-1: 2005+AMD1: 2012 (Edition 3.1) IEC 60601-1-2: 2014 (Edition 4.0)	

Ordering Information

Part No.	Description
POC-W24C-ULT3-C/PC/4G-R11	24" 250cd/m ² FHD Medical panel PC, Intel® Skylake Dual Core Celeron® 3855U Processor (1.60 GHz), 1*4GB DDR4, 802.11a/b/g/n/ac, PCAP touchscreen, 5M camera, microphone, R11
POC-W24C-ULT3-i5/PC/4G-R11	24" 250cd/m ² FHD Medical panel PC, Intel® Skylake Dual Core Core™ i5-6300U Processor (2.4 GHz), 1*4GB DDR4, 802.11a/b/g/n/ac, PCAP touchscreen, 5M camera, microphone, R11
POC-W24C-ULT3-i7/PC/4G-R11	24" 250cd/m ² FHD Medical panel PC, Intel® Skylake Dual Core Core™ i7-6600U Processor (2.60 GHz), 1*4GB DDR4, 802.11a/b/g/n/ac, PCAP touchscreen, 5M camera, microphone, R11

Options

Part No.	Description
MEDP-HD-R10	Metal handle covered with soft rubber
MEDP-MF-RFID-R11	Mifare RFID reader, 13.56MHz, with LED indicator, 200mm antenna, RFID & LED cable, IEI assembly only
MEDP-TPM-03-R10	Trusted platform module kit with 150mm cable, IEI assembly only
POC-17C-ULT3-W10E64-V-R10	OS Image with Windows Embedded Standard 10 E Value 64-bit for POC-17C/W24C Series, with DVD-ROM, RoHS

IQ Mounting Options

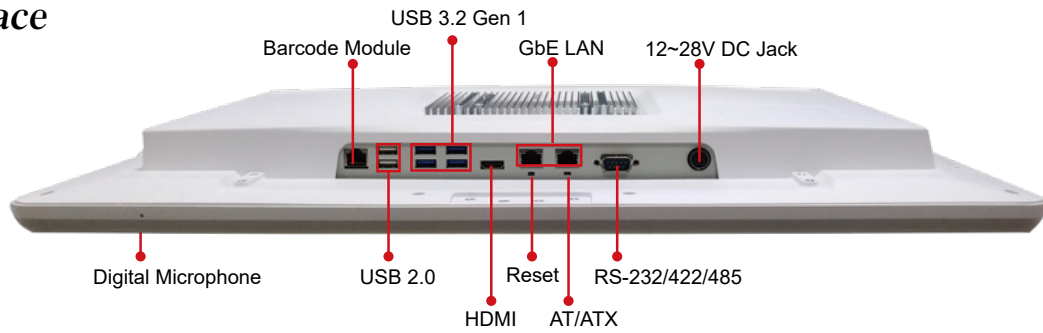
Item	Part No.
Wall Mount Kit	AFLWK-19B
Arm	ARM-31-RS
Stand	STAND-A21-R10

Packing List

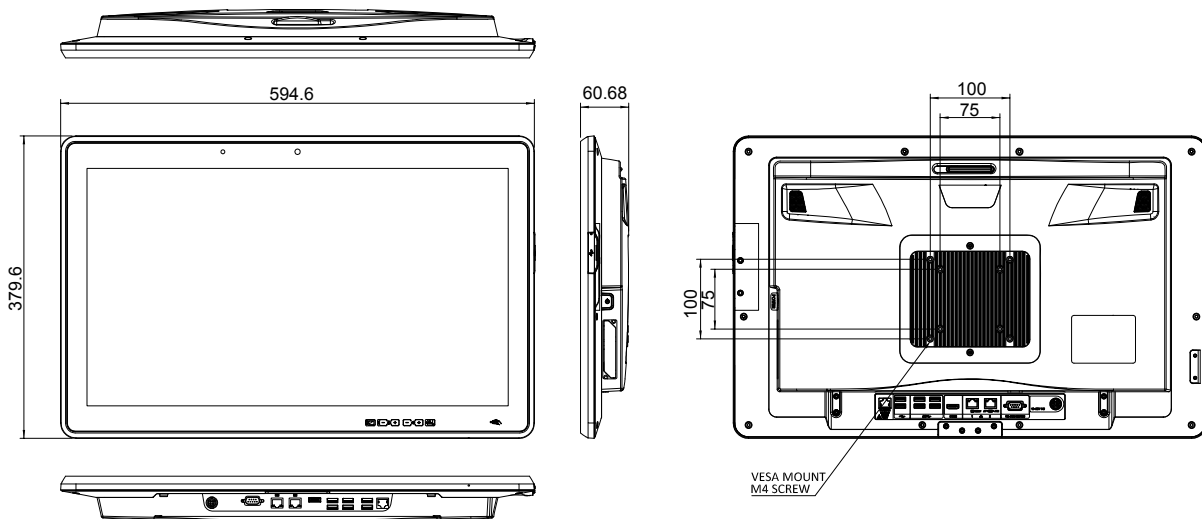
Item	Part No.	Q'ty	Remark
Power Adapter	63040-010150-400-RS	1	150W medical power adapter Input: 90V~264V AC; Output: 19V DC
Power Cord		1	European power cord, 183 cm, C13



POC-W24C-ULT3 I/O Interface



POC-W24C-ULT3 Dimensions (Unit: mm)



Mobile Point-of-Care Terminal

POCm-W22C-ULT3
POCm-W24C-ULT3

22"/24" Medical Panel PC with 6th Generation Intel® mobile ULT Core™ i7/i5/Celeron® processor



Features

- Intel® Celeron®, Core™ i5/i7 Skylake processor
- Anti-bacteria housing with IP65 front bezel and IP32 rear cover protection
- PCAP touch allows multi-touch, multi-layer gloves and water-on-screen operation
- Three hot-swappable batteries with a total runtime of 8 hours, ideal for non-powered medical carts



» Key Features

3 hot-swappable batteries that can provide sufficient power, and the ergonomic side-facing design eases the use for nurses with different height. Compared to the LiFePO4 battery of the traditional nursing cart, the batteries installed on the POCm have better design by reducing more than 5 kilograms of weight. The battery docking station can perform fast charging, taking only 3.5 hours from 0 to 100%.



● Lightweight Design

Traditionally, the battery of working station is bulky and occupies space. The hot-swappable batteries makes the POCm series an ideal medical cart computer for decreasing the total weight up to 5 kg.

LiFePO4
6.5kg!

3 pcs Lithium-ion
1.38kg

5 kg reduction

● Highly Integration

The POCm series product is a highly integrated panel PC. When building a mobile working station, the easy installation steps prevent you from facing the trouble of integrating different components and messy cabling.



● Cost Effective

The typical price range of nursing cart battery is more than USD 600 (after service included). Our anti-bacteria battery saves more than USD 400 cost. Charging dock design meets the need of medical context and relieves the waste of time and efforts going back and forth between nursing station and ward.



Specifications

Model		POCm-W22C-ULT3	POCm-W24C-ULT3	
LCD Specifications	LCD Size	21.5" (16:9)	23.8"	
	Max. Resolution (W / H)	1920 x 1080	1920 x 1080	
	Brightness (cd/m ²)	250	250	
	Contrast Ratio	1000:1	1000:1	
	LCD Color	16.7M colors (RGB 6-bit)	16.7M colors (RGB 6-bit)	
	Pixel Pitch (H / V)	0.24825 x 0.24825 mm	0.2745 x 0.2745 mm	
	Viewing Angle (H / V)	170° / 160°	178° / 178°	
	Backlight MTBF (hrs)	30,000 (LED backlight)	30,000 (LED backlight)	
Touch	Touchscreen	Projected capacitive type with 10-point multi-touch	Projected capacitive type with 10-point multi-touch	
	Touch Controller	EETI	EETI	
	Surface Hardness	6H	6H	
System	CPU Support	6th Gen Intel® mobile ULT Core™ i7-6600U / Core™ i5-6300U / Celeron® 3855U	6th Gen Intel® mobile ULT Core™ i7-6600U / Core™ i5-6300U / Celeron® 3855U	
	LAN Controller	1 x Intel® I211 Ethernet Controller 1 x Intel® I219 Ethernet Controller (AMT 12.x supported by i7/i5 SKUs)	1 x Intel® I211 Ethernet Controller 1 x Intel® I219 Ethernet Controller (AMT 12.x supported by i7/i5 SKUs)	
	RAM	Two 260-pin 2400/2133MHz dual-channel DDR4 SO-DIMM, 4GB pre-installed (system max. 32GB)	Two 260-pin 2400/2133MHz dual-channel DDR4 SO-DIMM, 4GB pre-installed (system max. 32GB)	
	Storage	1 x 2.5" Accessible SATA HDD bay 2 x 2280 M key (PCIe x1/SATA) with RAID	1 x 2.5" Accessible SATA HDD bay 2 x 2280 M key (PCIe x1/SATA) with RAID	
	Audio	2 x 2W speaker	2 x 2W speaker	
	Camera & Microphone	5-megapixel CMOS front-facing camera with auto-focus and digital microphone	5-megapixel CMOS front-facing camera with auto-focus and digital microphone	
	I/O Port	Bottom 1 x DC Jack 1 x Digital Mic 2 x HDMI output 2 x GbE LAN port 2 x RS-232/422/485 4 x USB 3.2 Gen 1 port	Side 1 x Mic in 1 x Audio out 2 x USB 2.0 port	
	OSD Function	1 x System on/off 1 x Volume up 1 x Volume down	1 x Brightness up 1 x Brightness down 1 x LCD on/off and touch lock for cleaning	
	Expansion	1 x Full-size/half-size PCIe Mini (PCIe+USB)	1 x Full-size/half-size PCIe Mini (PCIe+USB)	
	LED	1 x RFID indicator 1 x Power indicator 3 x Battery indicator (color: blue/red)	1 x RFID indicator 1 x Power indicator 3 x Battery indicator (color: blue/red)	
	Wi-Fi & Bluetooth	IEEE 802.11 a/b/g/n/ac 2T2R module with BT V4.2 (M.2 2230 A-E key)	IEEE 802.11 a/b/g/n/ac 2T2R module with BT V4.2 (M.2 2230 A-E key)	
	Physical	Construction Material	ABS+PC plastic with anti-bacterial material	ABS+PC plastic with anti-bacterial material
		Mounting	Wall, Stand and Arm VESA 75/100	Wall, Stand and Arm VESA 75/100
Weight (Net / Gross)		7.07 kg without batteries / 8.43 kg with 3 batteries	8.18 kg without batteries / 9.53 kg with 3 batteries	
Dimensions (LxWxH)		543 x 71 x 350 mm	594.6 x 71 x 379.6 mm	
Environment	Operating Temperature	0°C~40°C	0°C~40°C	
	Storage Temperature	-20°C~60°C	-20°C~60°C	
	Humidity	10% to 90% (non-condensing)	10% to 90% (non-condensing)	
	Vibration	1G	1G	
	Shock	Operating shock: 5G peak acceleration (11ms duration) Non-operating shock: 10G peak acceleration (11ms duration)	Operating shock: 5G peak acceleration (11ms duration) Non-operating shock: 10G peak acceleration (11ms duration)	
	IP Level	Front: IP65, Back: IP32	Front: IP65, Back: IP32	
	Thermal	Fanless	Fanless	
Power	Power Input	19V DC input	19V DC input	
	Power Adapter	150W medical power adapter	150W medical power adapter	
	Battery	3 slots for Li-ion battery pack	3 slots for Li-ion battery pack	
Certification	EMC & Safety	CE, FCC Class B Part 18 IEC 60601-1-2: 2014 (Edition 4.0) IEC 60601-1:2005+AMD1:2012 (Edition 3.1)	CE, FCC Class B Part 18 IEC 60601-1-2: 2014 (Edition 4.0) IEC 60601-1:2005+AMD1:2012 (Edition 3.1)	

Ordering Information

Part No.	Description
22"	POCm-W22C-ULT3-C/PC/4G-R11 21.5" 250cd/m ² FHD medical panel PC with 6th generation 14nm Intel® mobile Celeron® 3855U (15W) 1.6GHz on-board processor (ULT), one 4GB DDR4 RAM, 802.11a/b/g/n/ac Wi-Fi module, PCAP touchscreen, 5-megapixel camera, microphone, w/o battery, R11
	POCm-W22C-ULT3-i5/PC/4G-R11 21.5" 250cd/m ² FHD medical panel PC with 6th generation 14nm Intel® mobile Core™i5-6300U (15W) 2.4GHz on-board processor (ULT), one 4GB DDR4 RAM, 802.11a/b/g/n/ac Wi-Fi module, PCAP touchscreen, 5-megapixel camera, microphone, w/o battery, R11
	POCm-W22C-ULT3-i7/PC/4G-R11 21.5" 250cd/m ² FHD medical panel PC with 6th generation 14nm Intel® mobile Core™i7-6600U (15W) 2.6GHz on-board processor (ULT), one 4GB DDR4 RAM, 802.11a/b/g/n/ac Wi-Fi module, PCAP touchscreen, 5-megapixel camera, microphone, w/o battery, R11
24"	POCm-W24C-ULT3-C/PC/4G-R10 24" 250cd/m ² FHD medical panel PC with 6th generation 14nm Intel® mobile Celeron® 3855U (15W) 2.4GHz on-board processor (ULT), one 4GB DDR4 RAM, 802.11a/b/g/n/ac Wi-Fi module, PCAP touchscreen, 5-megapixel camera, microphone, w/o battery, R10
	POCm-W24C-ULT3-i5/PC/4G-R10 24" 250cd/m ² FHD medical panel PC with 6th generation 14nm Intel® mobile Core™i5-6300U (15W) 2.4GHz on-board processor (ULT), one 4GB DDR4 RAM, 802.11a/b/g/n/ac Wi-Fi module, PCAP touchscreen, 5-megapixel camera, microphone, w/o battery, R10
	POCm-W24C-ULT3-i7/PC/4G-R10 24" 250cd/m ² FHD medical panel PC with 6th generation 14nm Intel® mobile Core™i7-6600U (15W) 2.6GHz on-board processor (ULT), one 4GB DDR4 RAM, 802.11a/b/g/n/ac Wi-Fi module, PCAP touchscreen, 5-megapixel camera, microphone, w/o battery, R10

Options

Part No.	Description
MEDP-TPM-R10	Trusted platform module kit, IEI assembly only
MEDP-HSBAT-R10	3S3P Li-ion battery pack, 11.1V, 7800mAh (for eco packing, the order should be at least 14 pcs per box or multiple of 14 pcs)
POCm-DOCKING-6BAY-R10	6-slot battery charger, LED indicator, 15V/280W power adapter
POCm-W22C-ULT3-W10E64-V-R10	OS image with 64bit Windows 10 IOT Enterprise for POCm series, with DVD-ROM
POCP-CC05-R10	Cable cover, white, plastic, R10
31603-000069-RS	3S3P Li-ion battery pack, 11.1V, 7800mAh, ATO only

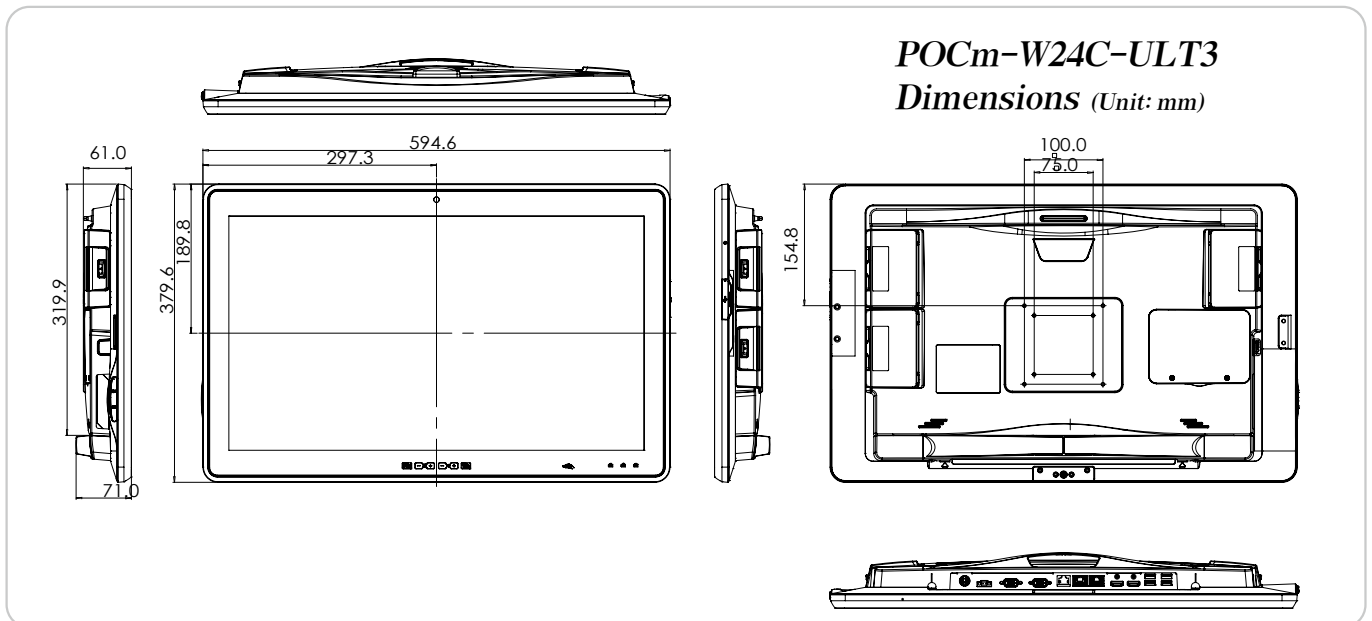
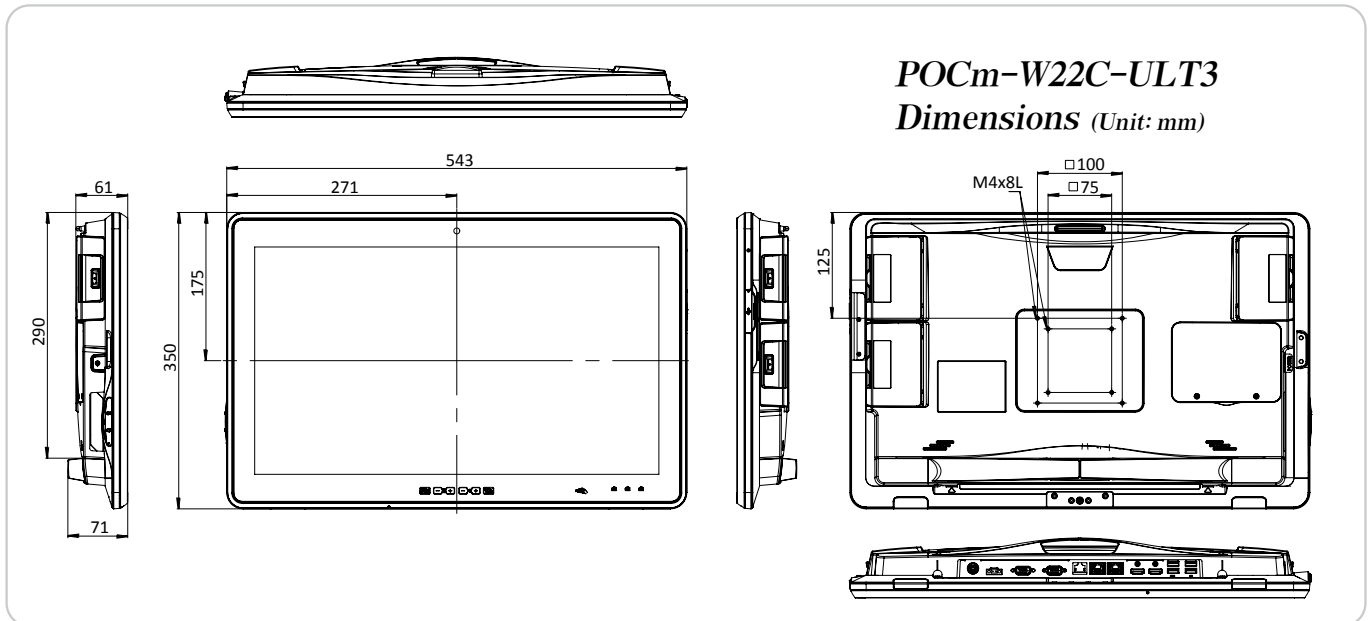
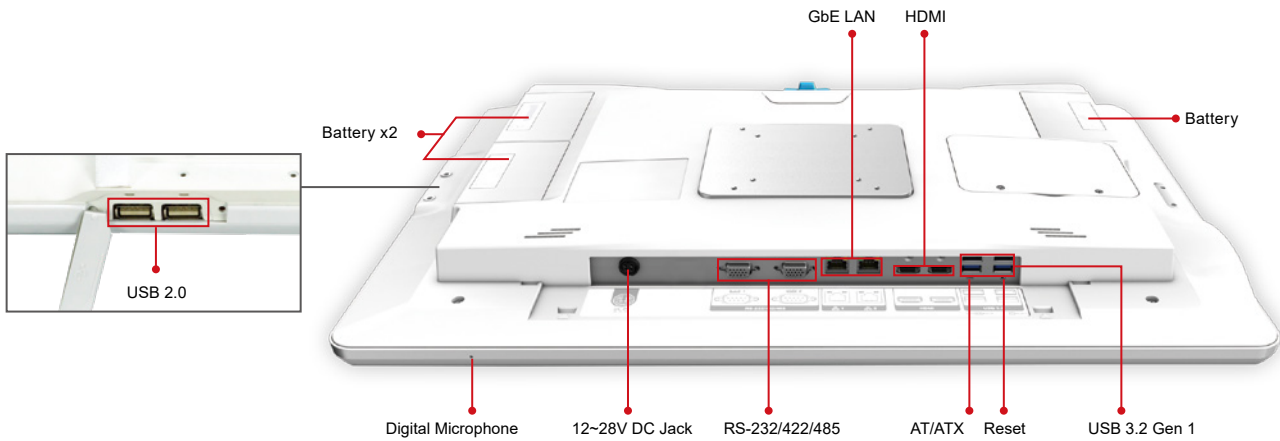
IQ Mounting Options

Item	Part No.
Wall Mount Kit	AFLWK-19B
Arm	ARM-31-RS
Stand	STAND-A21-R10

Packing List

Item	Q'ty	Remark
Power Adapter	1	150W medical power adapter
Power Cord	1	European power cord, 183 cm, C13

POCm-W22C-ULT3 / POCm-W24C-ULT3 I/O Interface



Intelligent Point-of-Care Terminal

NEW

POCi-W22C-ULT5
POCi-W24C-ULT5

22" / 24" Medical Panel PC with 8th Generation Intel® mobile ULT Core™ i7/i5 processor

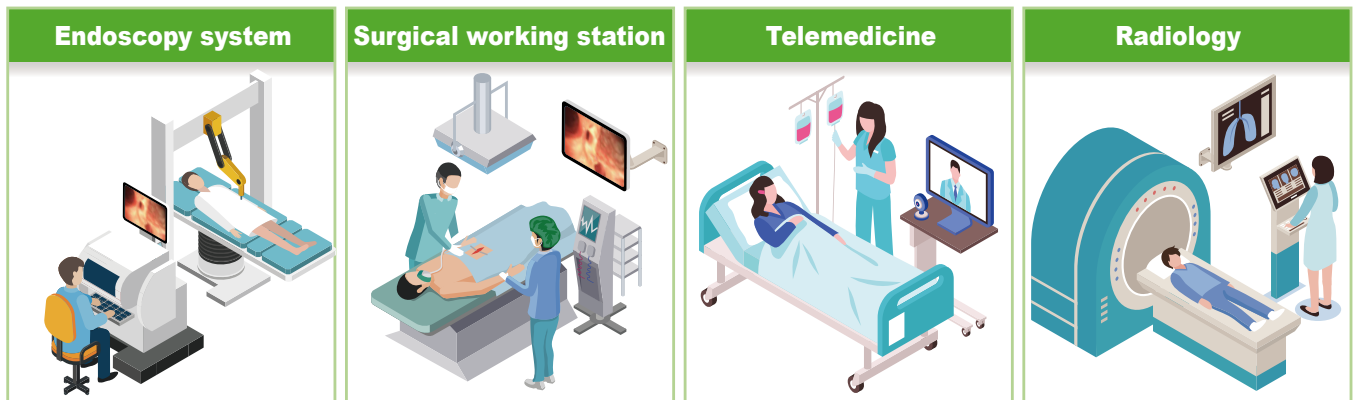
Features

- Dual reading light
- Chemical etching AG coating
- Modular PCIe x4 expansion slot
- Aluminum front bezel (IP66) & PC/ABS rear cover
- FHD IPS panel with optional DICOM preset module
- 14nm 8th generation Intel® Whiskey Lake U platform



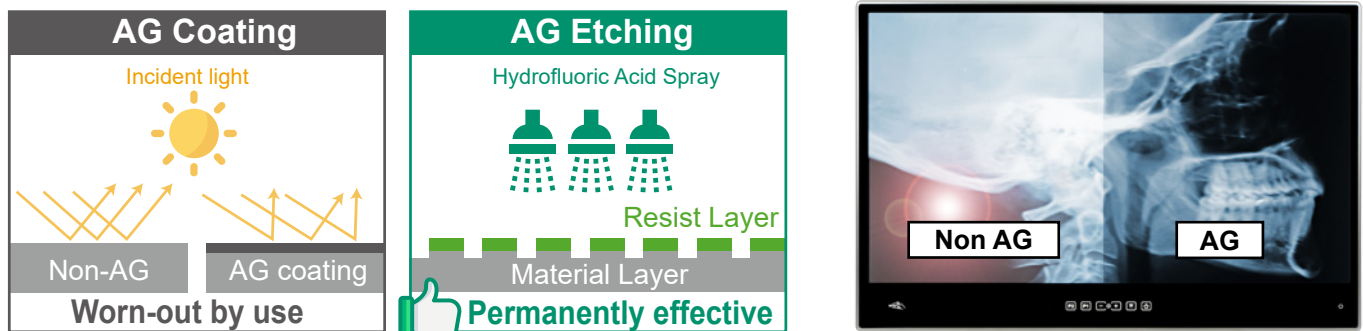
• Intelligent Working Station

The POCi series is a medical panel PC featuring AI, edge computing with rich expansion functions. It is ideal to work in many kinds of medical scenario such as radiology, telemedicine, endoscopy system or surgical working station.



• IPS Panel with Chemical Etching AG Coating Glass

High-performance IPS panel enables a wider 178° viewing angles and advanced visual performance. The chemical etching AG coating reduces the watching fatigue resulting from glare or any other light interference in different kinds of environments.



» Intelligent Point of Care Terminal

● Ultra-slim Aluminum Front Bezel

The ultra-slim front bezel creates a premium user experience. This design lets the medical personnel more focus on the clinical information displayed on the screen.



● Optional DICOM Preset

The way the human eye responds to contrasts in light levels is not linear. At low levels, we can notice small changes in luminance. At higher luminance, the change needs to be much greater before we perceive the difference from one level to the next. Calibration of the display system is important to ensure that each image is shown consistently every time it is viewed.



● Dual Reading Lights

The IEC 62471 compliant LEDs assure the reading light emits comfortable and safe light for human eyes. Easy adjustable dimming interface allows the user to choose the best brightness in different situations.



● Isolated I/O Ports

These 1.5kV isolated COM & LAN ports are compliant to the MOOP classification and use UL94 V-0 Flammability Standard Mylar® sheet insulation.



● ESD Protection

IEI provides Electrostatic discharge (ESD) 15kV (air) and 8kV (contact) ESD Protection. It can protect the circuit of a device from an Electrostatic discharge (ESD), in order to prevent malfunction of device.

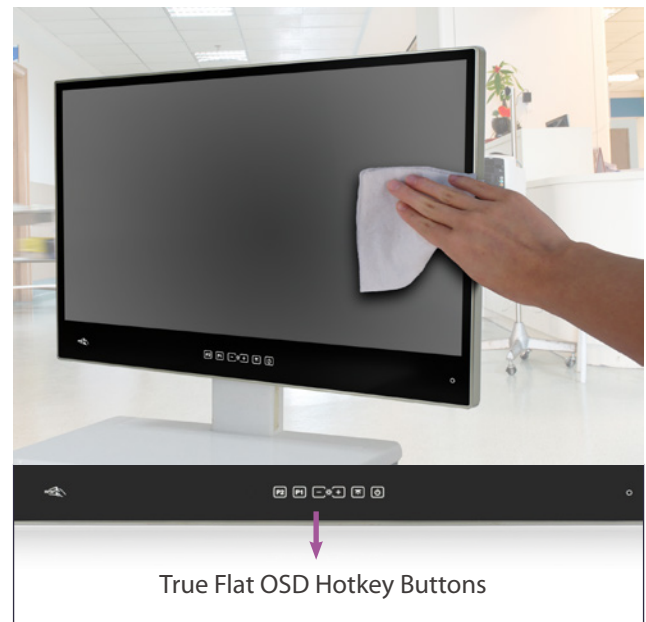
● Chemical Resistance for Easy Sterilization

Sterilization is a daily routine of hospitals. Aluminum front frame is not only lightweight but also very durable for chemical erosion. The PC/ABS back cover is also carefully selected and proved to be resistant to the commonly seen detergents.



● IP Protection

IP66 front bezel and cover are easy to be cleaned with cleaners.

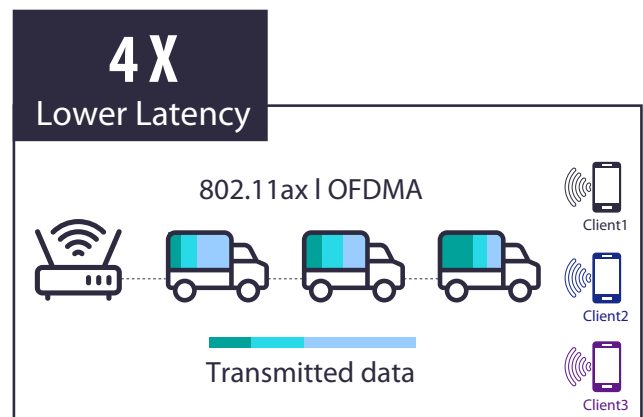
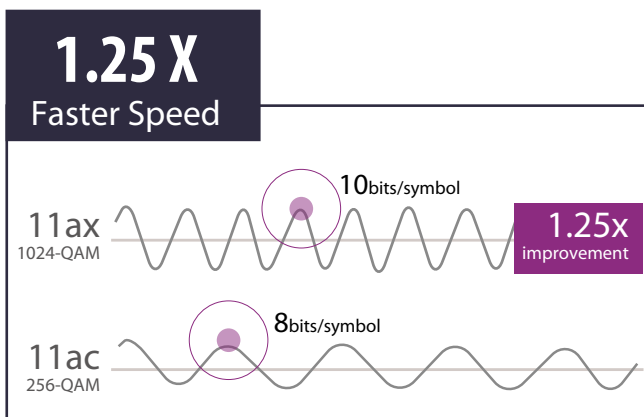
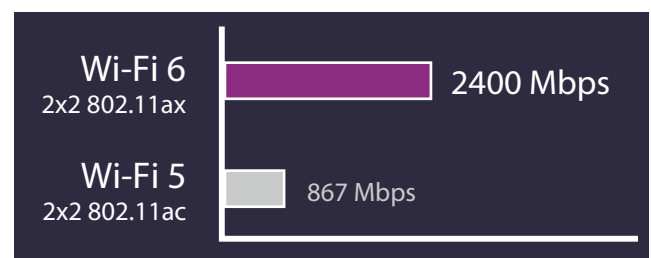


● True Flat OSD Hotkey Buttons

True flat OSD button design with no inaccessible corner brings conveniences for the cleaning personnel and increases cleaning efficiency.

● Wi-Fi 6 Module

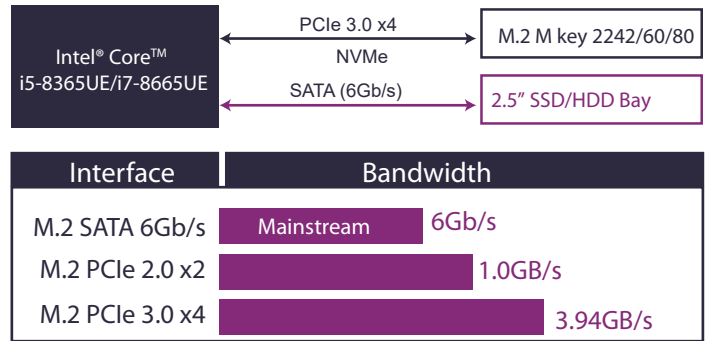
The POCi-W22/24C-ULT5 supports the latest Wi-Fi 6 standard which enables more clients in dense environments and will provide a better experience for typical wireless LAN networks.



● Storage Device

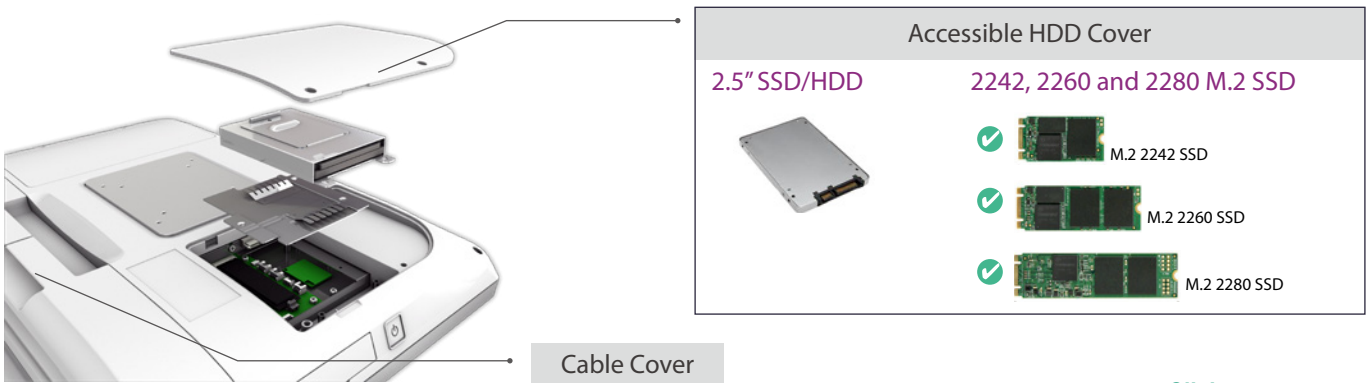
The POCi-W22C-ULT5 provides flexible options for storage

- 2.5" HDD/SSD
- M.2 M key slot for NVMe, up to PCIe 3.0 x4



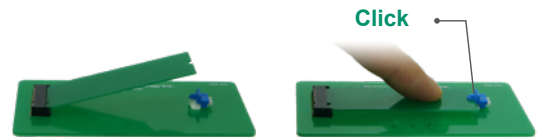
● Accessible HDD Cover & Cable Cover

Users can easily manage all the cables from the I/O ports, preventing splash to IO ports or messy cabling. Accessible HDD cover makes the IT maintenance job more efficient.



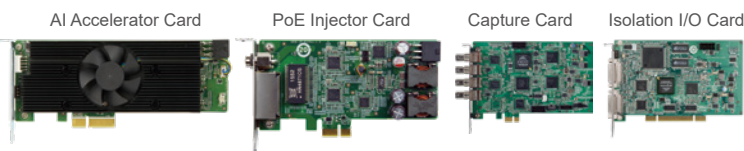
● Click-to-fix M.2 Slot

Special click-to-fix plunger design makes the M.2 replacing work much more convenient and prompt.



● Modular Expansion Design

The highly expandable PCIe x4 slot makes the whole system more flexible and easily meet the individual needs from different applications. For instance, adopting the AI accelerator card to enhance computing power, adding an all-in-one capture card to connect with medical devices, integrating PoE injector card with webcam, or expanding the desired I/O card for multiple usage.



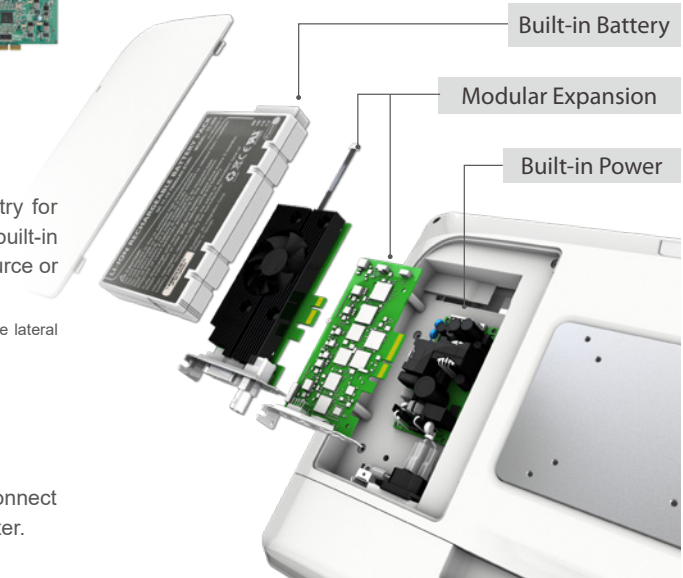
● Optional Built-in Battery

Uninterruptible Power System (UPS) is widely used in medical industry for securing patient's safety. The lateral expansion slot is available for a built-in battery which provides emergency power for 60 mins when the input source or main power fails under unexpected events.

* This feature needs to be requested before product shipment only and it will interfere with the lateral PCIe x4 expansion slot.

● Optional Built-in Power

To implement the built-in medical-grade power supply system, simply connect the power cord to the system without the use of an external power adapter.



Specifications

Model		POCi-W22C-ULT5	POCi-W24C-ULT5
LCD Specifications	LCD Size	21.5" (16:9)	23.8" (16:9)
	Max. Resolution (W / H)	1920 x 1080	1920 x 1080
	Brightness (cd/m ²)	250	250
	Contrast Ratio	1000:1	1000:1
	LCD Color	16.7M RGB 6-bit (Hi-FRC)	16.7M RGB 6-bit (Hi-FRC)
	Pixel Pitch (H / V)	0.24795 x 0.24795 mm	0.2745 x 0.2745 mm
	Viewing Angle (H / V)	178° / 178°	178° / 178°
	Backlight MTBF (hrs)	30,000 (LED backlight)	30,000 (LED backlight)
Touch	Touchscreen	Projected capacitive type with 10-point multi-touch	Projected capacitive type with 10-point multi-touch
	Touch Controller	EETI (80H84)	EETI (80H84)
	Surface Hardness	6H	6H
	Coating	Chemical etching AG	Chemical etching AG
System	CPU Support	Intel® Core™ i7-8665UE (Whiskey Lake ULT platform) Intel® Core™ i5-8365UE (Whiskey Lake ULT platform)	Intel® Core™ i7-8665UE (Whiskey Lake ULT platform) Intel® Core™ i5-8365UE (Whiskey Lake ULT platform)
	LAN Controller	1 x Intel® I211 Ethernet Controller 1 x Intel® I219 Ethernet Controller (AMT 12.x supported by i7/i5 SKUs)	1 x Intel® I211 Ethernet Controller 1 x Intel® I219 Ethernet Controller (AMT 12.x supported by i7/i5 SKUs)
	RAM	Two 260-pin 2400/2133MHz dual-channel DDR4 SO-DIMM, 4GB pre-installed (System max. 64GB)	Two 260-pin 2400/2133MHz dual-channel DDR4 SO-DIMM, 4GB pre-installed (System max. 64GB)
	Storage	1 x M.2 2242/60/80 M key (PCIe x4) 1 x 2.5" accessible SATA HDD/SSD bay	1 x M.2 2242/60/80 M key (PCIe x4) 1 x 2.5" accessible SATA HDD/SSD bay
	Audio	2 x 2W speaker	2 x 2W speaker
	I/O Port	Bottom 1 x DC jack 1 x HDMI 1.4 output 1 x Isolated 1.5kV RS-232 1 x Combo audio-out / mic-in 1 x Isolated Gigabit LAN (I211) 1 x Isolated Gigabit LAN (I219 supports Intel® vPro) 4 x USB 3.2 Gen 2 port	Side 2 x USB 2.0 port
	OSD Function	1 x Power on/off 1 x Reading light on/off 1 x Backlight brightness up	1 x Backlight brightness down 1 x Clean mode on/off 1 x DICOM mode app on/off (optional)
	Expansion	1 x PCIe x4	1 x PCIe x4
	LED	1 x RFID indicator (optional) 2 x LED reading light	1 x RFID indicator (optional) 2 x LED reading light
	Wi-Fi & Bluetooth	IEEE 802.11 ax 2T2R module (Wi-Fi 6 Module) with BT V5.0 (M.2 2230 A-E key)	IEEE 802.11 ax 2T2R module (Wi-Fi 6 Module) with BT V5.0 (M.2 2230 A-E key)
	Physical	Construction Material	Front bezel: Aluminum die-casting Rear cover: ABS+PC plastic (chemical resistant)
Mounting		Wall, Stand and Arm VESA 75/100	Wall, Stand and Arm VESA 75/100
Weight (Net)		6.9 kg	8.1 kg
Dimensions (LxWxH)		507.5 x 64.5 x 335.5 mm	567 x 63.9 x 370.6 mm
Environment	Operating Temperature	0°C~40°C	0°C~40°C
	Storage Temperature	-20°C~60°C	-20°C~60°C
	Humidity	10% to 95% (non-condensing)	10% to 95% (non-condensing)
	Vibration	1G	1G
	Shock	Operating shock: 5G peak acceleration (11ms duration) Non-operating shock: 15G peak acceleration (11ms duration)	Operating shock: 5G peak acceleration (11ms duration) Non-operating shock: 15G peak acceleration (11ms duration)
	IP Level	Front: IP66	Front: IP66
	Thermal	Fanless	Fanless
Power	Power Input	19V DC input	19V DC input
	Power Adapter	150W medical power adapter	150W medical power adapter
	Battery	3S3P Li-ion battery pack, 11.1V, 7800mAh (optional)	3S3P Li-ion battery pack, 11.1V, 7800mAh (optional)
	Built-in Medical Power	150W, 85~264 VAC, medical power supply (optional)	150W, 85~264 VAC, medical power supply (optional)
Certification	EMC & Safety	CE, FCC Class B Part 18 EN 60601-1-2: 2015 (Edition 4.0) EN 60601-1:2006/A1:2013 (Edition 3.1)	CE, FCC Class B Part 18 EN 60601-1-2: 2015 (Edition 4.0) EN 60601-1:2006/A1:2013 (Edition 3.1)

Ordering Information

Part No.	Description	
22"	POCi-W22C-ULT5-i5/PC/4G-R10	21.5" 250cd/m ² FHD medical panel PC with 8th generation 14nm Intel® mobile Core™ i5-8365UE (15W) 1.6GHz on-board processor (ULT), one 4GB DDR4 RAM, 802.11 ax Wi-Fi module, PCAP touchscreen w/ AG coating, microphone, R10
	POCi-W22C-ULT5-i5/PC/4G-B-R10 *	21.5" 250cd/m ² FHD medical panel PC with 8th generation 14nm Intel® mobile Core™ i5-8365UE (15W) 1.6GHz on-board processor (ULT), one 4GB DDR4 RAM, 802.11 ax Wi-Fi module, PCAP touchscreen w/ AG coating, microphone, w/ battery , R10
	POCi-W22C-ULT5-i5/PC/4G-BP-R10 *	21.5" 250cd/m ² FHD medical panel PC with 8th generation 14nm Intel® mobile Core™ i5-8365UE (15W) 1.6GHz on-board processor (ULT), one 4GB DDR4 RAM, 802.11 ax Wi-Fi module, PCAP touchscreen w/ AG coating, microphone, w/ built-in power , R10
	POCi-W22C-ULT5-i7/PC/4G-R10 *	21.5" 250cd/m ² FHD medical panel PC with 8th generation 14nm Intel® mobile Core™ i7-8665UE (15W) 1.7GHz on-board processor (ULT), one 4GB DDR4 RAM, 802.11 ax Wi-Fi module, PCAP touchscreen w/ AG coating, microphone, R10
	POCi-W22C-ULT5-i7/PC/4G-B-R10 *	21.5" 250cd/m ² FHD medical panel PC with 8th generation 14nm Intel® mobile Core™ i7-8665UE (15W) 1.7GHz on-board processor (ULT), one 4GB DDR4 RAM, 802.11 ax Wi-Fi module, PCAP touchscreen w/ AG coating, microphone, w/ battery , R10
	POCi-W22C-ULT5-i7/PC/4G-BP-R10 *	21.5" 250cd/m ² FHD medical panel PC with 8th generation 14nm Intel® mobile Core™ i7-8665UE (15W) 1.7GHz on-board processor (ULT), one 4GB DDR4 RAM, 802.11 ax Wi-Fi module, PCAP touchscreen w/ AG coating, microphone, w/ built-in power , R10
24"	POCi-W24C-ULT5-i5/PC/4G-R10	23.8" 250cd/m ² FHD medical panel PC with 8th generation 14nm Intel® mobile Core™ i5-8365UE (15W) 1.6GHz on-board processor (ULT), one 4GB DDR4 RAM, 802.11 ax Wi-Fi module, PCAP touchscreen w/ AG coating, microphone, R10
	POCi-W24C-ULT5-i5/PC/4G-B-R10 *	23.8" 250cd/m ² FHD medical panel PC with 8th generation 14nm Intel® mobile Core™ i5-8365UE (15W) 1.6GHz on-board processor (ULT), one 4GB DDR4 RAM, 802.11 ax Wi-Fi module, PCAP touchscreen w/ AG coating, microphone, w/ battery , R10
	POCi-W24C-ULT5-i5/PC/4G-BP-R10 *	23.8" 250cd/m ² FHD medical panel PC with 8th generation 14nm Intel® mobile Core™ i5-8365UE (15W) 1.6GHz on-board processor (ULT), one 4GB DDR4 RAM, 802.11 ax Wi-Fi module, PCAP touchscreen w/ AG coating, microphone, w/ built-in power , R10
	POCi-W24C-ULT5-i7/PC/4G-R10 *	23.8" 250cd/m ² FHD medical panel PC with 8th generation 14nm Intel® mobile Core™ i7-8665UE (15W) 1.7GHz on-board processor (ULT), one 4GB DDR4 RAM, 802.11 ax Wi-Fi module, PCAP touchscreen w/ AG coating, microphone, R10
	POCi-W24C-ULT5-i7/PC/4G-B-R10 *	23.8" 250cd/m ² FHD medical panel PC with 8th generation 14nm Intel® mobile Core™ i7-8665UE (15W) 1.7GHz on-board processor (ULT), one 4GB DDR4 RAM, 802.11 ax Wi-Fi module, PCAP touchscreen w/ AG coating, microphone, w/ battery , R10
	POCi-W24C-ULT5-i7/PC/4G-BP-R10 *	23.8" 250cd/m ² FHD medical panel PC with 8th generation 14nm Intel® mobile Core™ i7-8665UE (15W) 1.7GHz on-board processor (ULT), one 4GB DDR4 RAM, 802.11 ax Wi-Fi module, PCAP touchscreen w/ AG coating, microphone, w/ built-in power , R10

* By order production

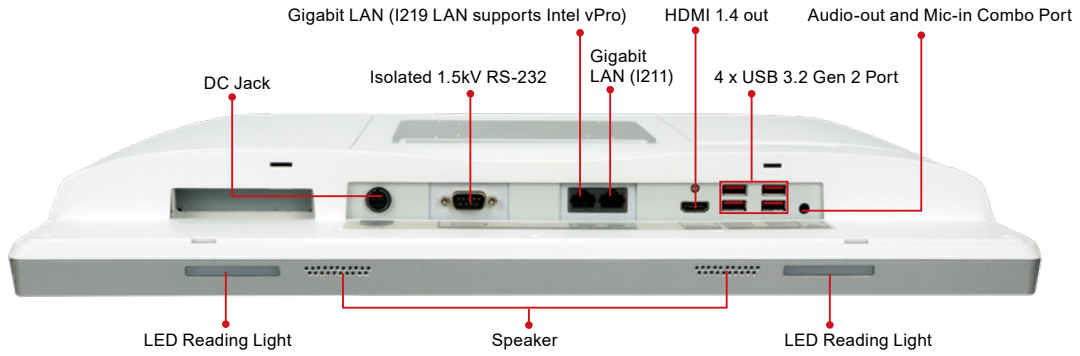
Options

Item	Part No.	Description
RFID	MEDP-MF-RFID-R11	Mifare RFID reader, 13.56MHz, PN7362AUHN, with LED indicator, 250mm antenna cable, IEI assembly only
	7J006-RDR6021AKU-RS	RFID reader, 125KHz, RDR-6021AKU, IEI assembly only
DICOM	MEDP-DICOM-R10	DICOM engine for digital image processing, including image enhancement, color adjustment and panel compensation, IEI assembly only
PoE	GPoE-2P-R20	PCI Express Power over Ethernet card, 2-port 1000 Base(T), 802.3at compliant, low profile, RoHS
TPM	TPM-IN03-R10	20-pin Infineon SPI TPM 2.0 module, software management tool, firmware V7.63
Battery	31603-000069-RS	Battery pack; Li Ion; DPC; TC-202; SAMSUNG; ICR1865026J; 7800MAH; 11.1V; 3S3P; ATO only; CCL; RoHS

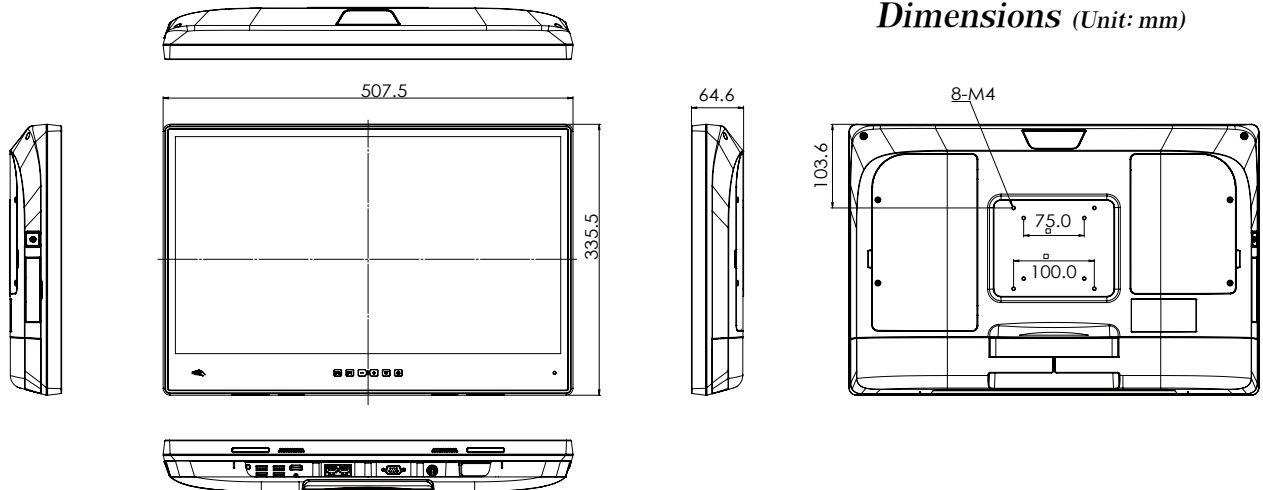
Packing List

Item	Q'ty	Remark
Power Adapter	1	150W medical power adapter
Power Cord	1	European power cord, 183 cm, C13

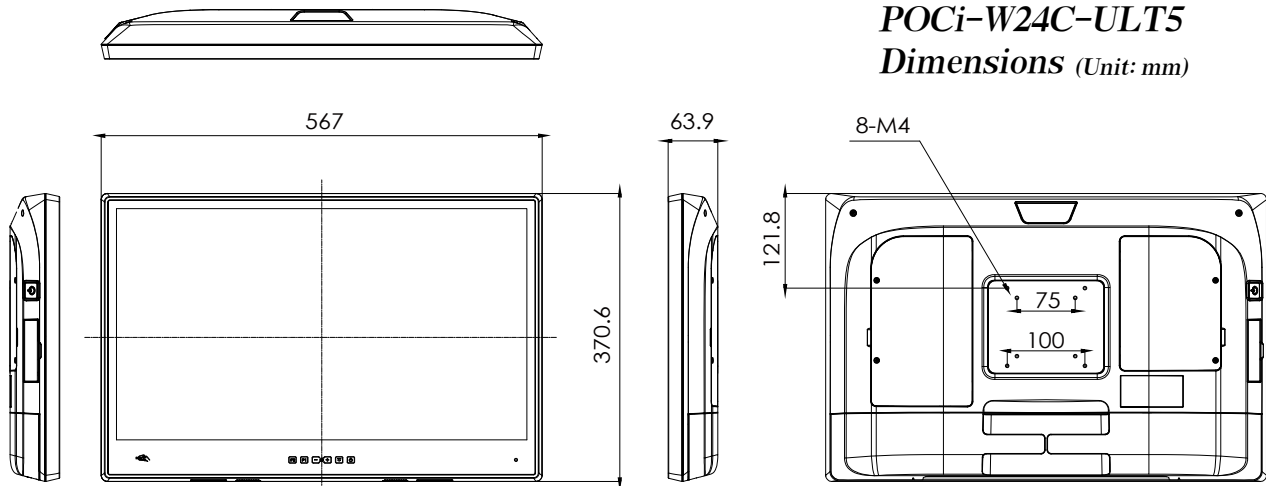
POCi-W22C-ULT5 / POCi-W24C-ULT5
I/O Interface



POCi-W22C-ULT5
Dimensions (Unit: mm)



POCi-W24C-ULT5
Dimensions (Unit: mm)



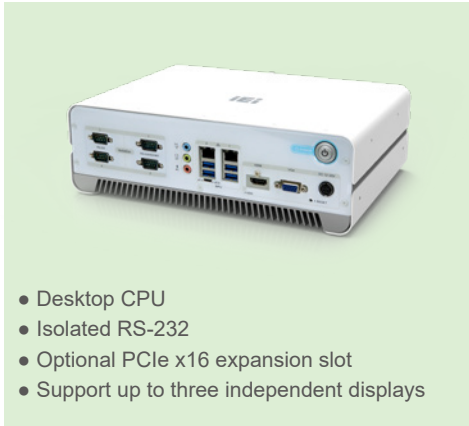
Medical Grade Box PC & Edge AI Computing



With the advance of medical technology, more and more computing systems are adopted by various healthcare professionals for EMR integration, AI computing, medical information transfer, HMI and various medical applications.

The entire HTB series is developed to help our global partners to tackle the foreseeable growing opportunities in hospital digitalization, precision medicine, and artificial intelligence in healthcare.

» HTB-100



- Desktop CPU
- Isolated RS-232
- Optional PCIe x16 expansion slot
- Support up to three independent displays

The HTB-100 is a medical grade fanless system with Intel® desktop CPU. It can serve as a medical controller or a medical gateway.



» HTB-200

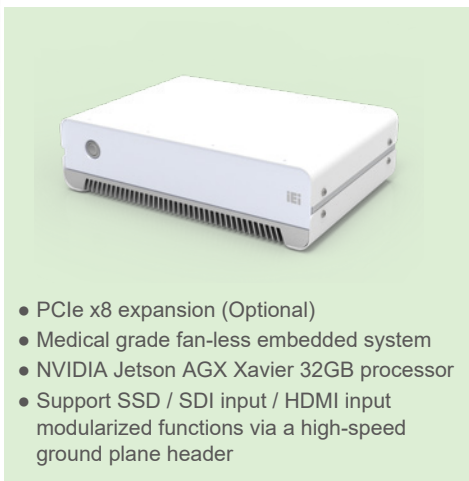


- Smart fan design
- PCIe x16 slot for GPU cards
- Server grade & desktop CPU
- Small size for easy deployment
- PCIe x4 slot for expansion cards

It adopts Intel® Xeon® E or Core™ i processor and features smart fan control to minimize the noise generated by system thermal solution. It is a perfect AI landing platform for algorithm development or applications in startup companies.



» HTB-300



- PCIe x8 expansion (Optional)
- Medical grade fan-less embedded system
- NVIDIA Jetson AGX Xavier 32GB processor
- Support SSD / SDI input / HDMI input modularized functions via a high-speed ground plane header

Equipped with NVIDIA Jetson AGX Xavier, the HTB-300 is a powerful fanless AI-ready system with low power consumption. It provides modularized, flexible options via an on-board plane header for end users to choose a function that most meet their needs.



Selection Guide



Series		HTB			
Model		HTB-100	HTB-200-C236	HTB-300-XA	
Chassis	Color	Silver + Grayish blue	White	White	
	Dimension (L x W x H)	294 x 209 x 90.2 mm	140 x 276.7 x 171 mm	293 x 209 x 82 mm	
	Thermal	Fanless	Smart Fan	Fanless	
	Chassis Construction	Extruded aluminum alloy	Metal housing (SECC)	Metal housing (SECC)	
Motherboard	CPU	Intel® Core™ i5-6442EQ 6M Cache, up to 2.70 GHz, 25W Intel® Core™ i7-6822EQ 8M Cache, up to 2.80 GHz, 25W	Intel® Xeon® E3-1268LV5, 35W TDP Intel® Core™ i5-7500T (Kaby Lake platform), 35W TDP	8-core ARM v8.2 64-bit CPU, 8MB L2 + 4MB L3	
	GPU	-	-	NVIDIA Volta™ architecture with 512 NVIDIA CUDA cores and 64 Tensor cores; 11 TFLOPS (FP16) 22 TOPS (INT8)	
	Chipset	Intel® Skylake HM170	Intel® C236 for Xeon	-	
	System Memory	1 x 4 GB pre-installed (system max: 32GB) 2 x 260-pin DDR4 SO-DIMM	2 x SO-DIMM ECC & non-ECC unbuffered memory supported up to 64GB	32GB eMMC 5.1 Support NVMe SSD by M.2 interface 1 x SD card slot for data encryption	
Storage	Hard Drive	1 x 2.5" SATA 6Gb/s HDD/SSD bay	1 x 2.5" SATA HDD/SSD bay	-	
I/O Interfaces	USB	2 x USB 2.0 4 x USB 3.2 Gen 1	2 x USB 2.0 2 x USB 3.2 Gen 1	1 x USB 2.0 Type C (internal) UART debug port 1 x USB 2.0 Type A (internal) for storing encrypted AI model and programming internal flash 4 x USB 3.2 Gen1	
	Ethernet	2 x RJ-45 PCIe GbE by Intel® I211 controller	Intel® I210 PCIe controller Intel® I219 LM Clarkville-V with Intel® AMT 11.0 support	-	
	COM port	2 x RS-232 (DB-9, with 2.5 kV isolation) 2 x RS-232/422/485 (DB-9, with 2.5 kV isolation)	1 x RS-232/422/485	1 x RS-232/422/485	
	Display	1 x VGA, 1 x HDMI 2.0, 1 x iDP (optional)	1 x HDMI 1.3a (Up to 1920 x 1200)	1 x HDMI (max. 3840 x 2160 @ 60Hz) 1 x DP port (max. 3840 x 2160 @ 60Hz)	
	Resolution	VGA: Up to 1920 x 1200@60Hz HDMI 2.0: Up to 4096 x 2160@60Hz	-	-	
	Audio	Realtek ALC662, 5.1-channel High Definition Audio (HDA) 1 x Line-in, 1 x Line out, 1 x Mic-in	-	1 x 3W speaker	
	Wireless	1 x 802.11a/b/g/n/ac 2T2R (optional)	-	-	
	Others	-	1 x Power button 1 x Reset switch 1 x AT/ATX switch	1 x Power Button (RGB color LED)	
	Expansions	PCIe	1 x PCIe x16	1 x PCIe 3.0 x4 slot 1 x PCIe 3.0 x16 slot	1 x PCIe 3.0 x8 slot
		PCIe Mini	1 x Half-size PCIe Mini 1 x Full-size PCIe Mini (supports mSATA, colay with SATA)	1 x Half-size PCIe mini slot	1 x M.2 M key 2242/60/80 for SSD 1 x M.2 E key for Wi-Fi & Bluetooth
M.2		1 x 1630/2230/3030 A-E key (PCIe x2/USB 2.0)	-	1 x Modularized high speed ground plane header (SSD/ SDI input/ HDMI input)	
Acceleration Card (Optional)		-	NVIDIA Tesla P4 (50W/75W) NVIDIA Tesla T4 (75W) Mustang F100 (<60W) Mustang V100 (<30W)	-	
Security		-	-	TPM 2.0	
Power	Power Input	12~28V DC	19V DC	100~240 VAC	
	Power Consumption	19V@4.4A (Intel® Core™ i7-6822EQ with 4 GB memory)	-	-	
	Adapter	Adapter Power; Vin: 90~264VAC; Vout: 19VDC; 150W	100V~240V AC input, 19V DC output, 180W	65W medical adapter	
Reliability	Mounting	Wall mounting	-	-	
	Operating Temperature	0°C~40°C with air flow (SSD)	0°C~35°C	0~40 °C	
	Operating Humidity	10%~95% (non-condensing)	10%~95% (non-condensing)	10%~95% (non-condensing)	
	Storage Temperature	-40°C~70°C with air flow (SSD)	-20°C~60°C	-	
	Storage Humidity	10% ~ 90% (non-condensing)	-	-	
	Operating Shock	Half-sine wave shock 5G; 11ms; 100 shocks per axis	Half-sine wave shock 5G, 11ms, 100 shocks per axis	Half-sine wave shock 5G, 11ms, 100 shocks per axis	
	Operation Vibration	MIL-STD-810G 514.6 C-1 (with SSD)	MIL-STD-810G 514.6C-1 (with SSD)	MIL-STD-810G 514.6C-1 (with SSD)	
Weight (Net / Gross)	2.2 kg / 3.0 kg	2.8 kg	3.05 kg		
Certification	Safety / EMC	CE IEC 62304 IEC 60601-1 V3.1 IEC 60601-1-2 V4.0 ISO 14971:2007 FCC class B part 18	-	IEC 60601-1-2: 2014 (Edition 4.0) IEC 60601-1:2005+AMD1:2012 (Edition 3.1)	
		OS	Supported OS	Microsoft® Windows 8, Microsoft® Embedded Standard 7	Windows®10, Linux®
	File System	-	-	Ubuntu 18.04, Kernel version: 4.9	

Medical Box PC

HTB-100-HM170 | Fanless Quad Core Box PC

Features

- Triple independent display with high resolution support
- Isolated COM ports for enhancing safety among devices
- Optional PCIe x16 expansion slot supports more flexible functions
- Medical grade with high performance fanless embedded computing
- 6th Gen Intel® Core™ processor platform with Intel® HM170 chipset and DDR4 memory



» Smart & Friendly Design

Isolated COM ports, rich I/O interface, and multiple expansions are built in to the HTB-100. The intelligent HTB-100 medical computing system will meet all demands from the medical applications.



• Compliant with medical standards

The HTB-100 is compliant with medical standards, including IEC 60601-1 V3.1, IEC 60601-1-2 V4.0, IEC 62304, IEC 62366, ISO 14971 and FCC part 18 class B, making the medical environment more reliable.

• Flexible expansion

The flexible expansion is one of the advantages of the HTB-100 for medical applications. The HTB-100 reserves a PCIe x16 slot for add-on card expansions, such as capture card for medical imaging inspection during surgery.

• Waterproof top cover

The HTB-100 is equipped with a waterproof top cover in order to prevent any damage from cleaning or liquid which may indirectly affect patients. The HTB-100 can meet flat design and reduce maintenance effort.

• Cable cover for easy cabling

The cable cover protects the HTB-100 from dust and liquid ingress, and allows the medical staff to easily manage all the cables from the I/O ports, making the cleaning process more convenient in medical environment.



Powerful system design capability with innovative technology



● Isolated COM ports for safety protection

The COM ports support 2.5kV isolation that meets medical standard (IEC 60601-1-2 V4.0). The isolated ports can increase safety on device designed for medical environment, and provide comprehensive protection against electrical surges for patients and medical staffs.

● Fanless and easy maintenance

The HTB-100 is a fanless embedded system, and the heatsink is situated on the bottom side. The design makes the HTB-100 an easy-to-clean and reliable system for the medical environment.

● Ground pin to prevent harm to patients and medical staffs

The perfect grounding pin design can avoid electric current flowing from the HTB-100 to vital devices which connect to patients, and to avoid the current damage from other devices.

● Easy mounting design

Various mounting methods such as desktop and wall mount are supported for easy use in medical environment. The provided flexible mounting bracket can be oriented 180 degrees to change from desktop to wall mount.



Specifications

Model	HTB-100	
Chassis	Color	Silver + Grayish blue
	Dimension (L x W x H)	294 x 209 x 90.2 mm
	Thermal	Fanless
	Chassis Construction	Extruded aluminum alloy
Motherboard	CPU	Intel® Core™ i7-6822EQ 8M Cache, up to 2.80 GHz, 25W Intel® Core™ i5-6442EQ 6M Cache, up to 2.70 GHz, 25W
	Chipset	Intel® Skylake HM170
	System Memory	1 x 4 GB pre-installed (system max: 32GB) 2 x 260-pin DDR4 SO-DIMM
Storage	Hard Drive	1 x 2.5" SATA 6Gb/s HDD/SSD bay
I/O Interfaces	USB	2 x USB 2.0 4 x USB 3.2 Gen 1
	Ethernet	2 x RJ-45 PCIe GbE by Intel® I211 controller
	COM port	2 x RS-232 (DB-9, with 2.5 kV isolation) 2 x RS-232/422/485 (DB-9, with 2.5 kV isolation)
	Display	1 x VGA, 1 x HDMI 2.0, 1 x iDP (optional)
	Resolution	VGA: Up to 1920 x 1200@60Hz HDMI 2.0: Up to 4096 x 2160@60Hz
	Audio	Realtek ALC662, 5.1-channel High Definition Audio (HDA) 1 x Line-in, 1 x Line out, 1 x Mic-in
	Wireless	1 x 802.11a/b/g/n/ac 2T2R (optional)
Expansions	PCIe	1 x PCIe x16
	PCIe Mini	1 x Half-size PCIe Mini 1 x Full-size PCIe Mini (supports mSATA, colay with SATA)
	M.2	1 x 1630/2230/3030 A-E key (PCIe x 2/USB 2.0)
Power	Power Input	12~28V DC
	Power Consumption	19V@4.4A (Intel® Core™ i7-6822EQ with 4 GB memory) Adapter Power; Vin: 90~264VAC; Vout: 19VDC; 150W Dim: 85 x 170 x 42.5 mm; Plug=6.5mm; Cable=1200mm; Medical; Din 4 Pin/lock; CCL; R10
Reliability	Mounting	Wall mounting
	Operating Temperature	0°C~40°C with air flow (SSD)
	Operating Humidity	10%~95% (non-condensing)
	Storage Temperature	-40°C~70°C with air flow (SSD)
	Storage Humidity	10% ~ 90% (non-condensing)
	Operating Shock	Half-sine wave shock 5G; 11ms; 100 shocks per axis
	Operation Vibration	MIL-STD-810G 514.6 C-1 (with SSD)
Weight (Net / Gross)	2.2 kg / 3.0 kg	
Certification	Safety / EMC	CE
		IEC 62304
		IEC 60601-1 V3.1
		IEC 60601-1-2 V4.0
		ISO 14971:2007
OS	Supported OS	FCC class B part 18
		Microsoft® Windows 8, Microsoft® Embedded Standard 7

Ordering Information

Part No.	Description
HTB-100-HM170-i5/4G-R10	Ruggedized fanless embedded system with Intel® Core™ i5-6442EQ 1.9 GHz (up to 2.7 GHz, quad core, TDP 25W), 4GB DDR4 pre-installed memory, one PCIe x16 expansion, VGA/HDMI/iDP, COM port, 12~28V DC, Adapter Power; Vin:90~264VAC; 150W; Dim:85*170*42.5mm; Plug=6.5mm; Cable=1200mm; Medical; Vout:19VDC; Din 4Pin/lock; CCL; R10
HTB-100-HM170-i7/4G-R10	Ruggedized fanless embedded system with Intel® Core™ i7-6822EQ 2.0 GHz (up to 2.8 GHz, quad core, TDP 25W), 4GB DDR4 pre-installed memory, one PCIe x16 expansion, VGA/HDMI/iDP, COM port, 12~28V DC, Adapter Power; Vin:90~264VAC; 150W; Dim:85*170*42.5mm; Plug=6.5mm; Cable=1200mm; Medical; Vout:19VDC; Din 4Pin/lock; CCL; R10

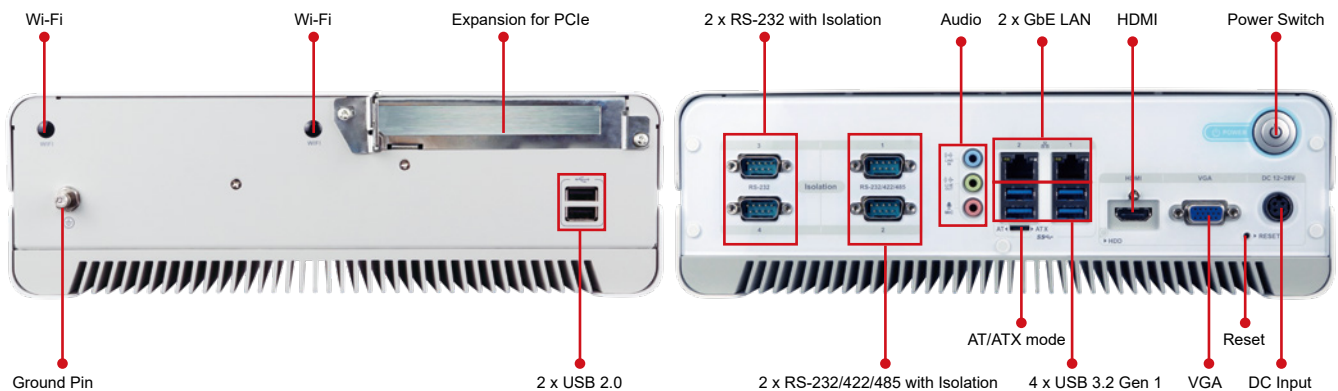
Options

Part No.	Description
41008-0803K6-00-RS	Cable COVER; HTB-100ME; White; R10

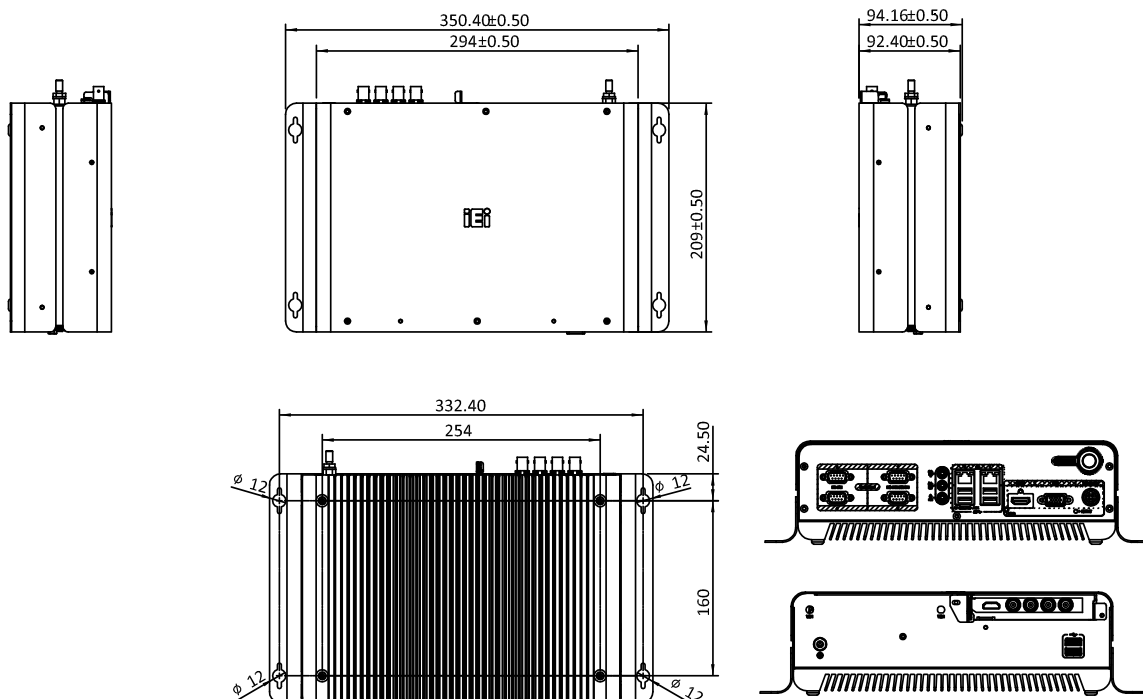
Packing List

1 x Chassis Screw	1 x Mounting Bracket
-------------------	----------------------

I/O Interface



HTB-100-HM170 Dimensions (Unit: mm)

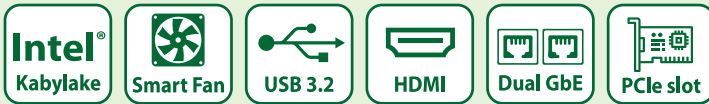


AI Box PC

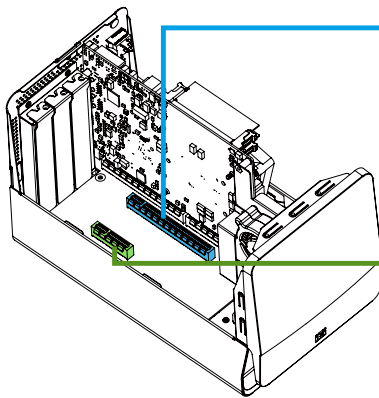
HTB-200-C236 | 6th/7th Generation Intel® Xeon / Core™ Processor

Features

- PCIe x4 slot supports capture cards or other applications
- Compact edge device with great computing & graphics performance
- PCIe x16 slot supports NVIDIA GPU or IEI Mustang Acceleration Card
- 6th/7th Gen Intel® Xeon® & Core™ processor platform with Intel® C236 chipset
- Dual ECC & non-ECC unbuffered SO-DIMM memory slot supporting up to 64 GB



» Dual PCIe Slots



PCIe x16

Accelerator cards are crucial to data scientists. High compatibility for the GPU cards such as NVIDIA P4/T4/Quadro series or IEI Mustang series allows the end user to choose accelerator cards based on their different needs.

PCIe x4

The redundant PCIe x4 slot is reserved for all-in-one video capture cards or other expansions.

» Unique Thermal Solution

Catering to NVIDIA® Tesla T4 passive heat sink design, IEI adopts blower-ventilation solution that not only creates a strong air flow but also minimizes the noise made by fan system.



» Easy Maintenance

The accessible hard drive enables IT technicians to do the maintenance work more easily. The drive bay is located in the bottom of the HTB-200-C236 and accepts 2.5" SSD or HDD. The IT technician can easily check or replace the storage device by removing four cover screws.



Specifications

Model		HTB-200-C236
Chassis	Color	White
	Dimension (L x W x H)	140 x 276.7 x 171 mm
	Thermal	Smart Fan
	Chassis Construction	Metal housing (SECC)
Motherboard	CPU	Intel® Xeon® E3-1268LV5, 35W TDP Intel® Core™ i5-7500T (Kaby Lake platform), 35W TDP
	Chipset	Intel® C236 for Xeon
	System Memory	2 x SO-DIMM ECC & non-ECC unbuffered memory supported up to 64GB
Storage	Hard Drive	1 x 2.5" SATA HDD/SSD bay
I/O Interfaces	USB	2 x USB 2.0 2 x USB 3.2 Gen 1
	Ethernet	Intel® I210 PCIe controller Intel® I219 LM Clarkville-V with Intel® AMT 11.0 support
	COM port	1 x RS-232/422/485
	Display	1 x HDMI 1.3a (up to 1920 x 1200)
	Others	1 x Power button 1 x Reset switch 1 x AT/ATX switch
Expansions	PCIe	1 x PCIe 3.0 x4 slot 1 x PCIe 3.0 x16 slot
	PCIe Mini	1 x Half-size PCIe Mini slot
	Acceleration Card (Optional)	NVIDIA Tesla P4 (50W/75W) NVIDIA Tesla T4 (75W) Mustang-F100 (<60W) Mustang-V100 (<30W)
Power	Power Input	19V DC
	Adapter	100V~240V AC input, 19V DC output, 180W
Reliability	Operating Temperature	0°C~35°C
	Operating Humidity	10%~95% (non-condensing)
	Storage Temperature	-20°C~60°C
	Operating Shock	Half-sine wave shock 5G, 11ms, 100 shocks per axis
	Operation Vibration	MIL-STD-810G 514.6C-1 (with SSD)
	Weight (Net / Gross)	2.8 kg
OS	Supported OS	Windows®10, Linux®

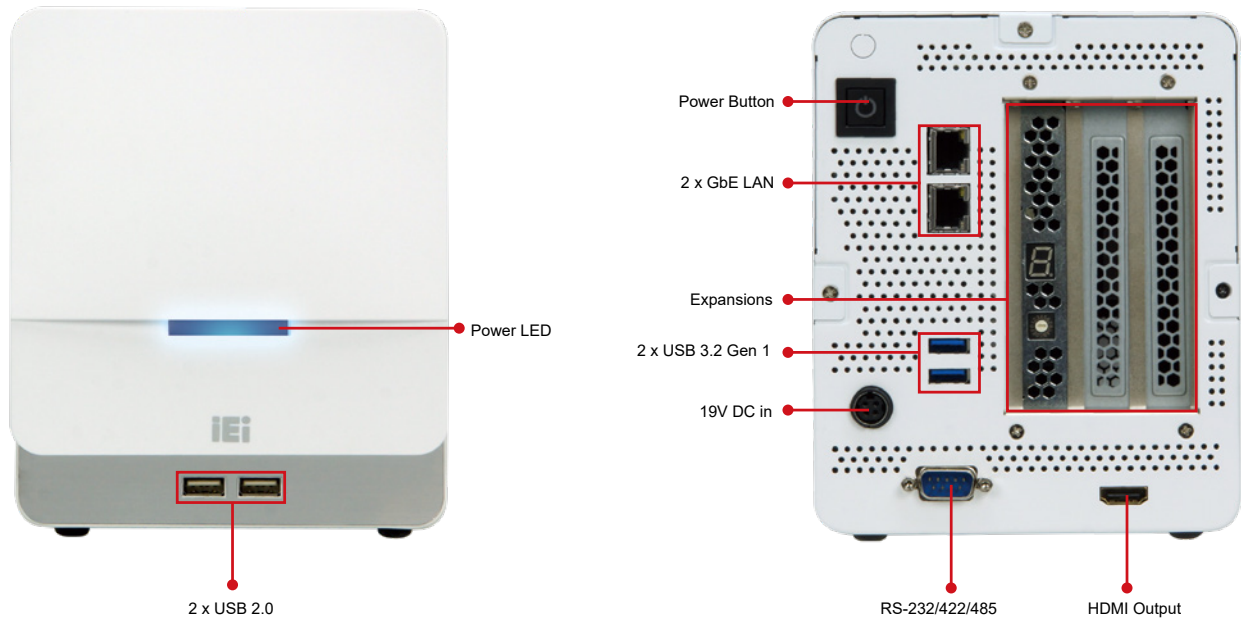
Ordering Information

Part No.	Description
HTB-200-C236-E3/32G/2A-R10	Embedded system with Intel® Xeon® E3-1268LV5 2.4GHz (quad-core, 35W TDP), two 16GB DDR4 memory, one PCIe x16 & one PCIe x4 expansion, 19V DC 180W power adapter, white, R10
HTB-200-C236-i5/16G/2A-R10	Embedded system with Intel® Core™ i5-7500T 2.7GHz (quad-core, 35W TDP), two 8GB DDR4 memory, one PCIe x16 & one PCIe x4 expansion, 19V DC 180W power adapter, white, R10

Packing List

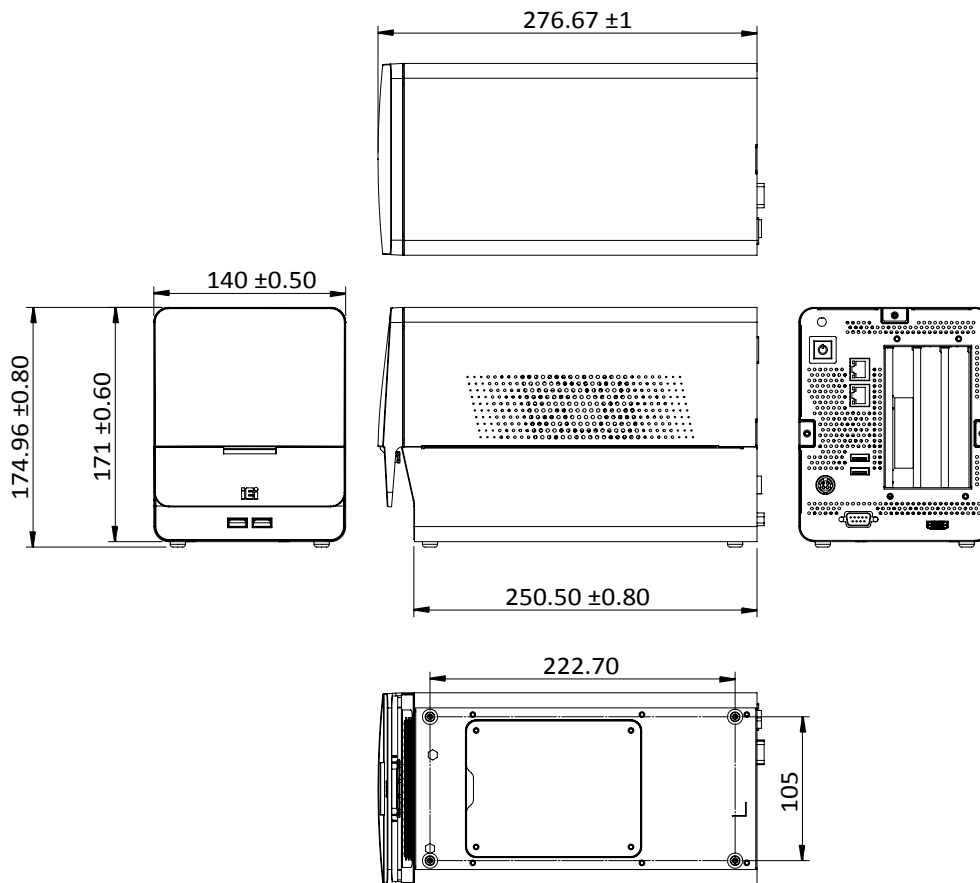
Item	Part No.	Q'ty	Remark
Power Adapter	63040-010180-200-RS	1	180W power adapter Input: 100V~240V AC; Output: 19 V DC
Power Cord	32701-000700-300-RS	1	American power cord, 183 cm, C13
HDD Screw	44043-030041-RS	4	Machine screw; I head; M3x4

I/O Interface



HTB-200-C236 Dimensions

(Unit: mm)



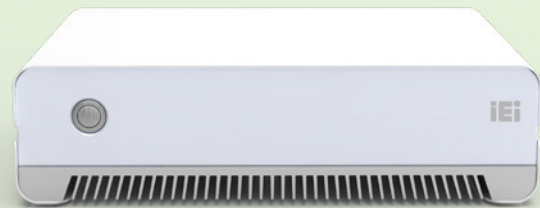
NEW

AI Box PC

HTB-300-XA | NVIDIA Jetson AGX Xavier 32GB processor

Features

- Support TPM 2.0
- Edge AI inference device
- PCIe x8 expansion (optional)
- Medical grade fan-less embedded system
- NVIDIA Jetson AGX Xavier 32GB processor
- Integrated AI Box PC bundled with Linux Ubuntu 18.04
- Modularized high speed ground plane header (SSD/ SDI input/ HDMI input)



MicroSD
For storing encrypted AI model

Engineering Debug Mode built-in

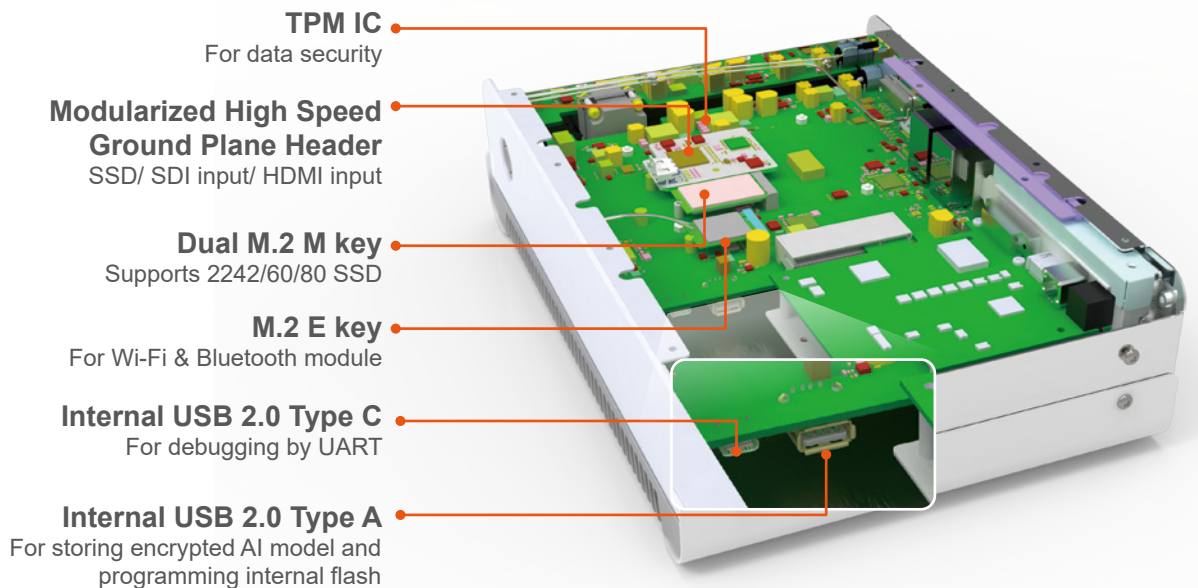


Internal USB 2.0 Type C
For debugging by UART

AI Model & License



Internal USB 2.0 Type A
For storing encrypted AI model and programming internal flash



Specifications

Model		HTB-300-XA
Chassis	Color	White
	Dimension (L x W x H)	293 x 209 x 82 mm
	Thermal	Fanless
	Chassis Construction	Metal housing (SECC)
Motherboard	CPU	8-core ARM v8.2 64-bit CPU, 8MB L2 + 4MB L3
	GPU	NVIDIA Volta™ architecture with 512 NVIDIA CUDA cores and 64 Tensor cores 11 TFLOPS (FP16) 22 TOPS (INT8)
	System Memory	32GB eMMC 5.1 Support NVMe SSD by M.2 interface 1 x SD card slot for data encryption
I/O Interfaces	USB	1 x USB 2.0 Type C (internal) UART debug port 1 x USB 2.0 Type A (internal) for storing encrypted AI model and programming internal flash 4 x USB 3.2 Gen1
	COM port	1 x RS-232/422/485
	Display	1 x HDMI (max. 3840 x 2160 @ 60Hz) 1 x DP port (max. 3840 x 2160 @ 60Hz)
	Audio	1 x 3W speaker
	Others	1 x Power button (RGB color LED)
Expansions	PCIe	1 x PCIe 3.0 x8 slot
	PCIe Mini	1 x M.2 M key 2242/60/80 for SSD 1 x M.2 E key for Wi-Fi & Bluetooth
	M.2	1 x Modularized high speed ground plane header (SSD/ SDI input/ HDMI input)
	Security	TPM 2.0
Power	Power Input	100~240 VAC
	Adapter	65W medical adapter
Reliability	Operating Temperature	0~40°C
	Operating Humidity	10%~95% (non-condensing)
	Operating Shock	Half-sine wave shock 5G, 11ms, 100 shocks per axis
	Operation Vibration	MIL-STD-810G 514.6C-1 (with SSD)
	Weight (Net / Gross)	3.05 kg
Certification	Safety / EMC	IEC 60601-1-2: 2014 (Edition 4.0) IEC 60601-1:2005+AMD1:2012 (Edition 3.1)
OS	Supported OS	Linux for Jetson AGX Xavier
	File System	Ubuntu 18.04, Kernel version: 4.9

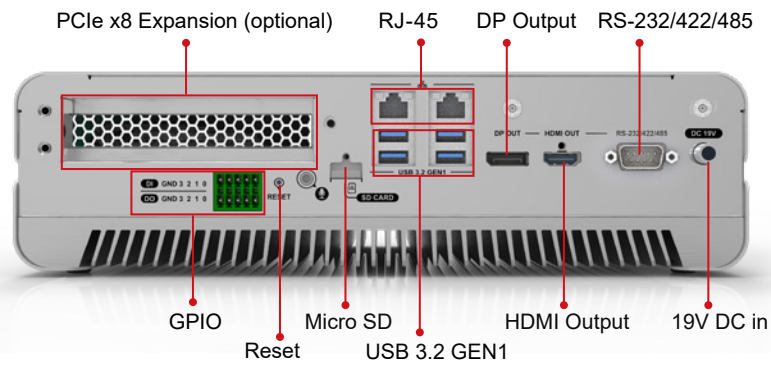
Ordering Information

Part No.	Description
HTB-300-XA/32G-R10	AI box PC with NVIDIA Xavier module (8-core ARM CPU with 512 CUDA cores) , 32GB LPDDR4 memory, 32GB eMMC 5.1, one PCIe x8 expansion, 19V/65W medical power adapter, white, R10
HTB-300-XA/32G-SDI-R10	AI box PC with NVIDIA Xavier module (8-core ARM CPU with 512 CUDA cores), 32GB LPDDR4 memory, 32GB eMMC 5.1, with SDI input and PCIe x8 expansion, 19V/65W medical power adapter, white, R10
HTB-300-XA/32G-HDMI-R10	AI box PC with NVIDIA Xavier module (8-core ARM CPU with 512 CUDA cores), 32GB LPDDR4 memory, 32GB eMMC 5.1, with HDMI input and PCIe x8 expansion, 19V/65W medical power adapter, white, R10
HTB-300-XA/32G-SSD-R10	AI box PC with NVIDIA Xavier module (8-core ARM CPU with 512 CUDA cores), 32GB LPDDR4 memory, 32GB eMMC 5.1, with 2nd M.2 SSD slot and PCIe x8 expansion, 19V/65W medical power adapter, white, R10

I/O Interface



Power Button



PCIe x8 Expansion (optional)

RJ-45

DP Output

RS-232/422/485

GPIO

Reset

Micro SD

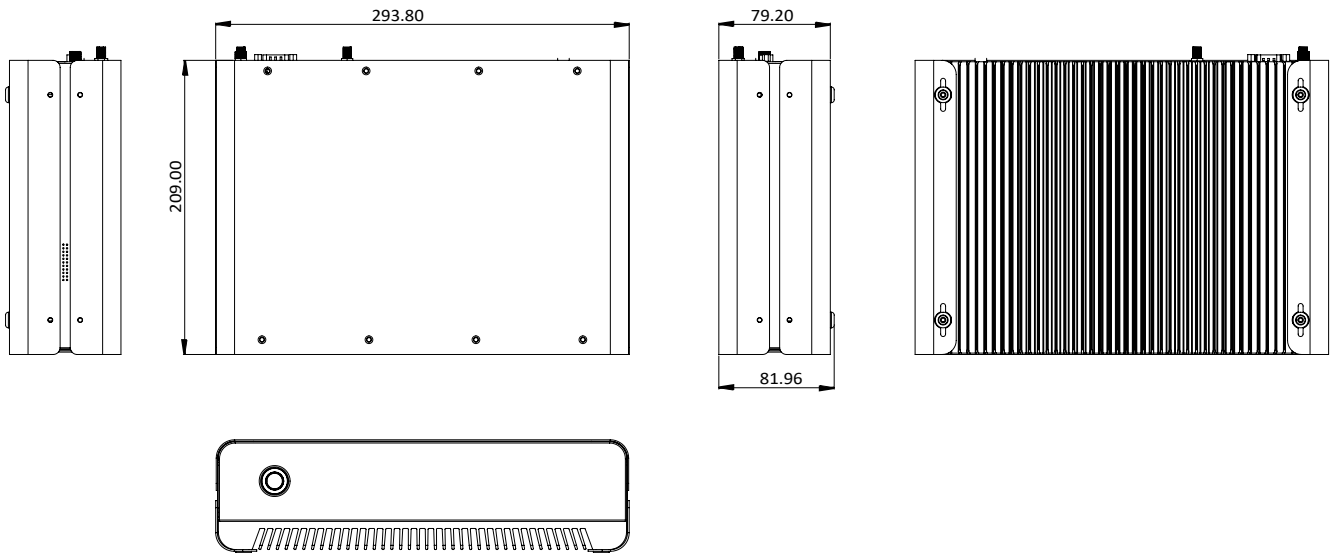
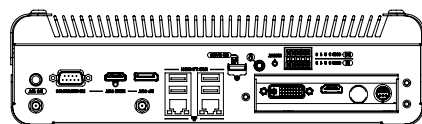
USB 3.2 GEN1

HDMI Output

19V DC in

HTB-300-XA Dimensions

(Unit: mm)



Solution Partner for Healthcare Industry

Medical Certifications



Celebrate Humanity with Technology

BriteMED is dedicated to developing and applying innovative electronic medical solutions that improve clinical workflow and enhance patient care. At BriteMED, all the solutions are designed, tested and refined with the clinical environment in mind. As an affiliate of the IEI Group, a reputed industrial application provider, we leverage the hardware and software strength to provide integrated solution, including medical device, medical display, computing platform, mobile workstation and powering system. The utmost medical solution together with the advanced technology is our commitment for medical professionals. From product design to integration service, we aim to develop reliable and technology-driven solutions that make people's lives better-whether they are doctors, nurses or patients. We believe perfecting those small details touches our customers and their individual requests.



Medical Monitor

Multi-modality display for endoscopy application and surgical environment

The BriteMED® medical display supports multiple digital and analog inputs, enabling the connection to the state-of-the-art devices without extra efforts. The DICOM/GAMMA compliance and adjustable color temperature ensure accurate and artifact-free imaging quality, to help surgeons make decision during operation. The special-coating glass allows precise imaging view experience in the operation theater and facilitates clean purpose for infection control.



Medical Computer Cart

A wide range of medication and documentation carts for ward rounds

The BriteMED® Medical Computer Cart can be integrated with the battery medical panel PCs, providing an all-in-one solution for EHR workstation. For various hospital requirements, a range of colors and accessories can be chosen to maximize the flexibility for different applications.

BriteMED® 21" Medical Monitor

Multi-Interfaces for Endoscopy Examination

Powered by BriteMED



* Stand is optional

Benefits



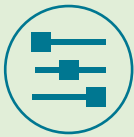
Versatile Connection

Multiple inputs enable flexible connection by applications: VGA & DVI input for general connection, traditional analog input/output for replacing CRT monitor with old endoscopy system.



Accurate Image Viewing

The DICOM and GAMMA compliance ensures optimized color and grey scale reproduction, bring the accurate and quality imaging for further diagnosis.



Easy for Maintenance

The smart OSD allows quick monitor setting by PC. The optional GPIO port is reserved for developing customized functions and facilitating maintenance purpose.



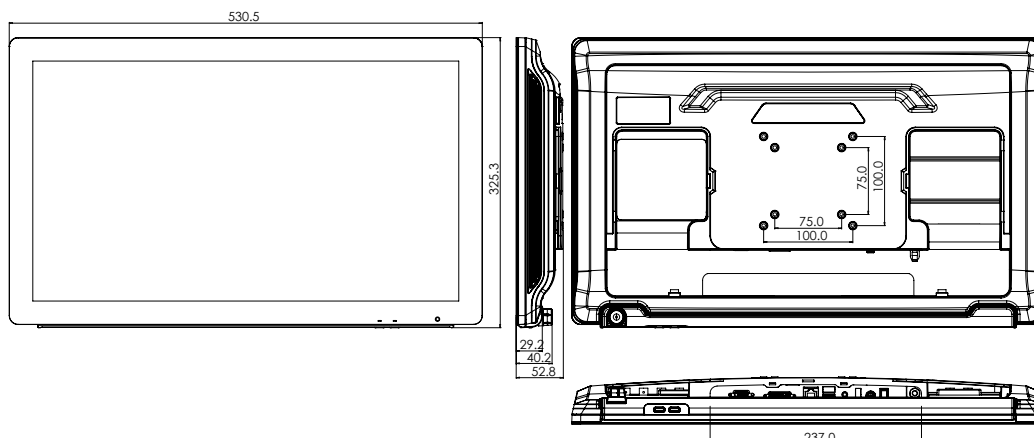
Easy Installation

The VESA 75/100 compliance supports easy installation in the space-limited examination room, on the cart, surgical boom arm, or other mounting kits

Selection Guide

Easy for Maintenance	Model with General VGA & DVI Input	Model with Traditional Analog Video Input
Without HDMI input/output	MMS-21C	MMS-21CA
With HDMI input/output for PIP/PBP display	MMS-21CH	MMS-21CAH

Dimensions (unit: mm)



Specifications

Model		MMS-21C	MMS-21CA	MMS-21CH	MMS-21CAH
Description		General VGA, DVI inputs	Multiple analog inputs	VGA, DVI, and HDMI inputs	VGA, DVI, analog, and HDMI inputs
Picture Performance	LCD Size	21.5" (16:9)			
	Resolution	1920 (W) x 1080 (H) pixels			
	Brightness (max.)	250 nits (typical)			
	Contrast Ratio	5000:1 (typical)			
	Viewing Angle (H/V)	178° / 178° (typical)			
	Color Temperature	Factory calibrated 4500K, 5500K, 6500K, 7500K			
	Gamma Correction	Factory calibrated gamma 2.0 & DICOM			
Function Keys		1 x OSD rotary knob 1 x Input source quick selection 1 x Monitor sleep			
Input	VGA (DB-15)	1			
	DVI-D	1			
	HDMI	N/A	N/A	1	1
	Component	N/A	BNC x 5 (Y/Pb/ Pr, R/Gs/B, R/G/ B/C-Sync, R/G/B/ H-Sync/V-Sync)	N/A	BNC x 5 (Y/Pb/Pr, R/Gs/B, R/ G/B/C-Sync, R/G/B/H-Sync/ V-Sync)
	CVBS	N/A	BNC x 1 (NTSC, PAL)	N/A	BNC x 1 (NTSC, PAL)
	S-Video	N/A	1	N/A	1
	Audio	Phone jack x 1			
Output	HDMI	N/A	N/A	1, loop through	1, loop through
	Component	N/A	BNC x 5, loop through (Y/Pb/ Pr, R/Gs/B, R/G/ B/C-Sync, R/G/B/ H-Sync/ V-Sync)	N/A	BNC x 5, loop through (Y/Pb/ Pr, R/Gs/B, R/G/B/C-Sync, R/ G/B/H-Sync/V-Sync)
	CVBS	N/A	BNC x 1, loop through (NTSC, PAL)	N/A	BNC x 1, loop through (NTSC, PAL)
	S-Video	N/A	1, loop through	N/A	1, loop through
	Audio	0.8W x 2			
Optional Interfaces	3G-SDI	Input x 1 / Output x 1 (loop through)			
General	Power Requirement	10V~28V DC input			
	Power Adaptor	Medical grade power adaptor: input: 100-240V AC 50-60Hz; output: 12V DC/5.42A			
	Dimensions (L x W x H)	530 x 325 x 53 mm			
	Weight	6.6 kg			
	Mounting Standard	VESA 75 x 75 mm / 100 x 100 mm			
Environment	Operating Temperature	0°C~40°C			
	Operating Humidity	10%~90% (non-condensing)			
	Storage Temperature	-20°C ~60°C			
	Storage Humidity	10%~90% (non-condensing)			
Certifications	Certifications & Compliance	ANSI/AAMI ES60601-1, EN60601-1, CAN/CSA C22.2 No. 60601-1, and FCC Class B part 18			
Package Content	Monitor	1	1	1	1
	Power Adaptor	1	1	1	1
	Power Cord	1	1	1	1
	Grounding Cable	1	1	1	1
	VGA Cable	1	1	1	1
	DVI Cable	1	1	1	1
	HDMI Cable	N/A	N/A	1	1
	Touchscreen Cable	N/A	N/A	N/A	N/A
	USB Cable	1	1	1	1
	User Manual (USB flash drive)	1	1	1	1

Ordering Information

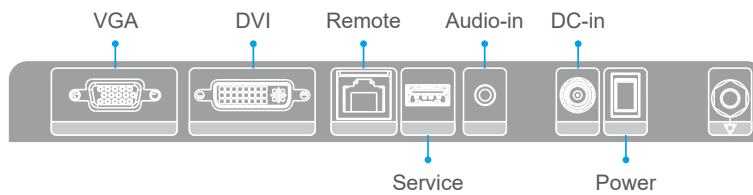
Part No.	Description
MMS-21C-R10	21.5" 1920x1080 color monitor, VGA/DVI-D input, 100~240 VAC to 12V DC power adaptor
MMS-21CA-R10	21.5" 1920 x 1080 color monitor, VGA/DVI-D/Component/CVBS/S-Video input, 100~240 VAC to 12V DC power adaptor
MMS-21CH-R10	21.5" 1920x1080 color monitor, VGA/DVI-D/HDMI input, 100-240V AC to 12V DC power adaptor
MMS-21CAH-R10	21.5" 1920x1080 color monitor, VGA/DVI-D/Component/CVBS/S-Video/HDMI input, 100-240V AC to 12V DC power adaptor

Factory Options

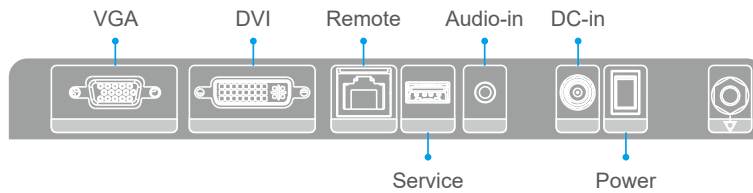
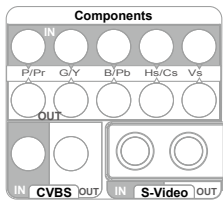
Part No.	Description
MMSO-3GSDI-R10	3GSDI input & output loop-through add-on module
STAND-A19-RS	VESA 75/100 stand, supports up to 7.5 kg, silver
STAND-DWH-R10	VESA 75/100 stand, supports up to 15 kg, white
AFLWK-19B	VESA 100 wall mount kit, supports up to 7.5 kg, silver

Signal Interface

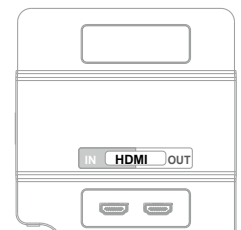
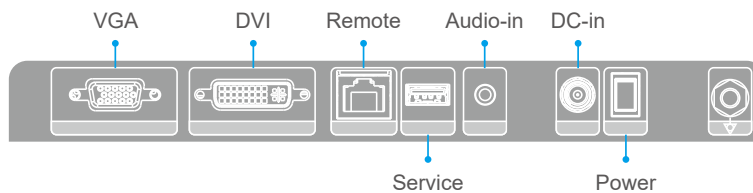
MMS-21C



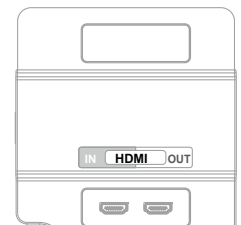
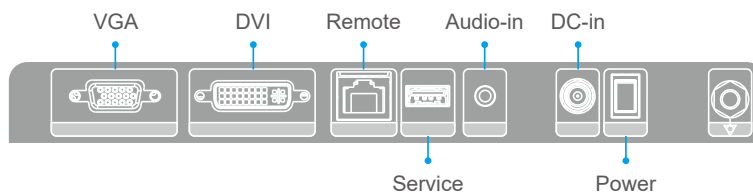
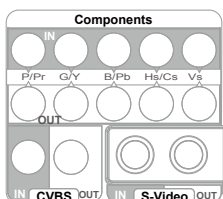
MMS-21CA



MMS-21CH



MMS-21CAH



BriteMED® 21" Medical Monitor

Touch Function for Medical Modality Control Terminal

Powered by BriteMED



* Stand is optional

Benefits



Versatile Connection

Multiple inputs enable flexible connection by applications: VGA & DVI input for general connection, traditional analog input/output for replacing CRT monitor with old endoscopy system.



Easy for maintenance

The PCAP multi-touch screen enables easy operation even in latex gloves, facilitating procedure of image-viewing and information accessing.



Easy to Clean

The special-coating glass not only ensures precise image viewing experience under strong OR lighting but also brings easy-to-clean advantage required for infection control.



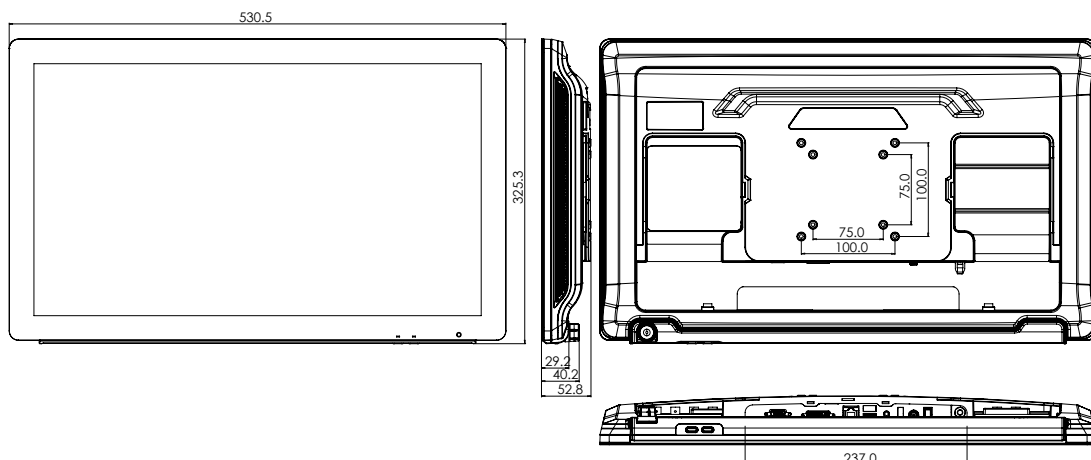
Accurate Image Viewing

The DICOM and GAMMA compliance ensures optimized color and grey scale reproduction, bring the accurate and quality imaging for further diagnosis.

Selection Guide

Easy for Maintenance	Model with General VGA & DVI Input	Model with Traditional Analog Video Input
Without HDMI input/output	MMS-21CT	MMS-21CAT
With HDMI input/output for PIP/PBP display	MMS-21CHT	MMS-21CAHT

Dimensions (unit: mm)



Specifications

Model		MMS-21CT	MMS-21CAT	MMS-21CHT	MMS-21CAHT
Description		Touch-screen model	Touch-screen model with analog inputs	Touch-screen model with HDMI input	Touch-screen model with analog and HDMI inputs
Picture Performance	LCD Size	21.5" (16:9)			
	Resolution	1920 (W) x 1080 (H) pixels			
	Brightness (max.)	250 nits (typical)			
	Contrast Ratio	5000:1 (typical)			
	Viewing Angle (H/V)	178° / 178° (typical)			
	Color Temperature	Factory calibrated 4500K, 5500K, 6500K, 7500K			
	Gamma Correction	Factory calibrated gamma 2.0 & DICOM			
Function	Touch Screen	Projected capacitive touchscreen (USB interface)			
	Function Keys	1 x OSD rotary knob 1 x Input source quick selection 1 x Monitor sleep			
Input	VGA (DB-15)	1			
	DVI-D	1			
	HDMI	N/A	N/A	1	1
	Component	N/A	BNC x 5 (Y/Pb/Pr, R/Gs/B, R/G/B/C-Sync, R/G/B/H-Sync/V-Sync)	N/A	BNC x 5 (Y/Pb/Pr, R/Gs/B, R/G/B/C-Sync, R/G/B/H-Sync/V-Sync)
	CVBS	N/A	BNC x 1 (NTSC, PAL)	N/A	BNC x 1 (NTSC, PAL)
	S-Video	N/A	1	N/A	1
	Audio	Phone jack x 1			
Output	HDMI	N/A	N/A	1, loop through	1, loop through
	Component	N/A	BNC x 5, loop through (Y/Pb/Pr, R/Gs/B, R/G/B/C-Sync, R/G/B/H-Sync/V-Sync)	N/A	BNC x 5, loop through (Y/Pb/Pr, R/Gs/B, R/G/B/C-Sync, R/G/B/H-Sync/V-Sync)
	CVBS	N/A	BNC x 1, loop through (NTSC, PAL)	N/A	BNC x 1, loop through (NTSC, PAL)
	S-Video	N/A	1, loop through	N/A	1, loop through
	Audio				
Optional Interfaces	3G-SDI	Input x 1 / Output x 1 (loop through)			
General	Power Requirement	10V~28V DC input			
	Power Adaptor	Medical grade power adaptor: input: 100-240V AC 50-60Hz; output: 12V DC/5.42A			
	Dimensions (L x W x H)	530 x 325 x 53 mm			
	Weight	6.6 kg			
	Mounting Standard	VESA 75 x 75 mm / 100 x 100 mm			
Environment	Operating Temperature	0°C~40°C			
	Operating Humidity	10%~90% (non-condensing)			
	Storage Temperature	-20°C ~60°C			
	Storage Humidity	10%~90% (non-condensing)			
Certifications	Certifications & Compliance	ANSI/AAMI ES60601-1, EN60601-1, CAN/CSA C22.2 No. 60601-1, and FCC Class B part 18			
Package Content	Monitor	1	1	1	1
	Power Adaptor	1	1	1	1
	Power Cord	1	1	1	1
	Grounding Cable	1	1	1	1
	VGA Cable	1	1	1	1
	DVI Cable	1	1	1	1
	HDMI Cable	N/A	N/A	1	1
	Touchscreen Cable	1	1	1	1
	USB Cable	1	1	1	1
	User Manual (USB flash drive)	1	1	1	1

Ordering Information

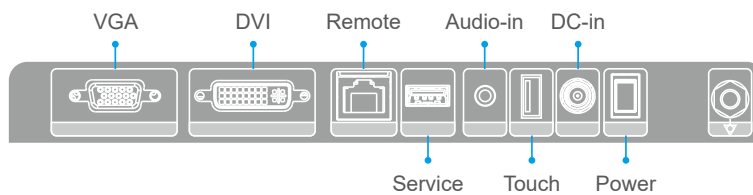
Part No.	Description
MMS-21CT-R10	21.5" 1920 x 1080 color monitor, VGA/DVI-D input, P-CAP Touchscreen, 100~240 VAC to 12V DC power adaptor
MMS-21CAT-R10	21.5" 1920 x 1080 color monitor, VGA/DVI-D/Component/CVBS/S-Video input, P-CAP Touchscreen, 100-240V AC to 12V DC power adaptor
MMS-21CHT-R10	21.5" 1920 x 1080 color monitor, VGA/DVI-D/HDMI input, P-CAP Touchscreen, 100-240V AC to 12V DC power adaptor
MMS-21CAHT-R10	21.5" 1920 x 1080 color monitor, VGA/DVI-D/Component/CVBS/S-Video/HDMI input, P-CAP Touchscreen, 100-240V AC to 12V DC power adaptor

Factory Options

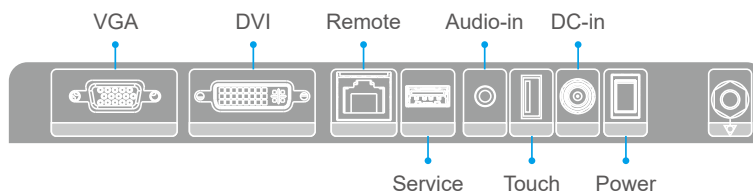
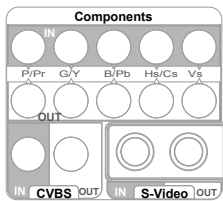
Part No.	Description
MMSO-3GSDI-R10	3GSDI input & output loop-through add-on module
STAND-A19-RS	VESA 75/100 stand, supports up to 7.5 kg, silver
STAND-DWH-R10	VESA 75/100 stand, supports up to 15 kg, white
AFLWK-19B	VESA 100 wall mount kit, supports up to 7.5 kg, silver

Signal Interface

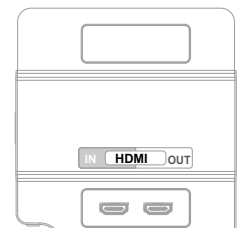
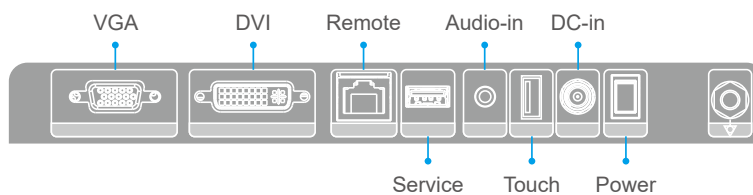
MMS-21CT



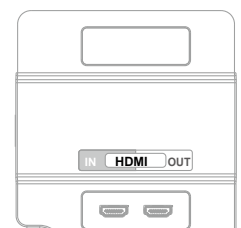
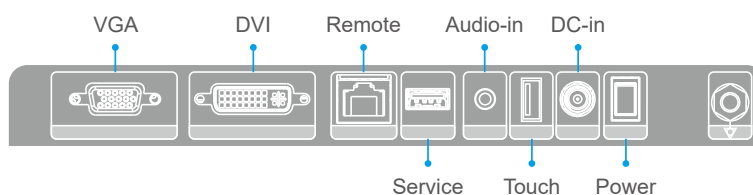
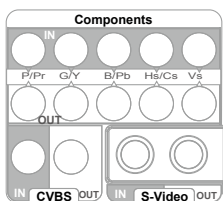
MMS-21CAT



MMS-21CHT



MMS-21CAHT



BriteMED® 27" Medical Monitor

High Brightness for Surgical Imaging

Powered by BriteMED



* Stand is optional

Benefits



Versatile Connection

Multiple inputs enable flexible connection by applications: VGA & DVI input for general connection, HDMI input/output featuring PIP/PBP function for multi-modality, and optional 3G-SDI module for advanced endoscopy system.



Accurate Image Viewing

The compliance with DICOM/ GAMMA ensures optimized color and gray scale reproduction for best image accuracy.



Exceptional Clarity

The 700-nits high brightness enhances clarity and details for both color and grayscale images.



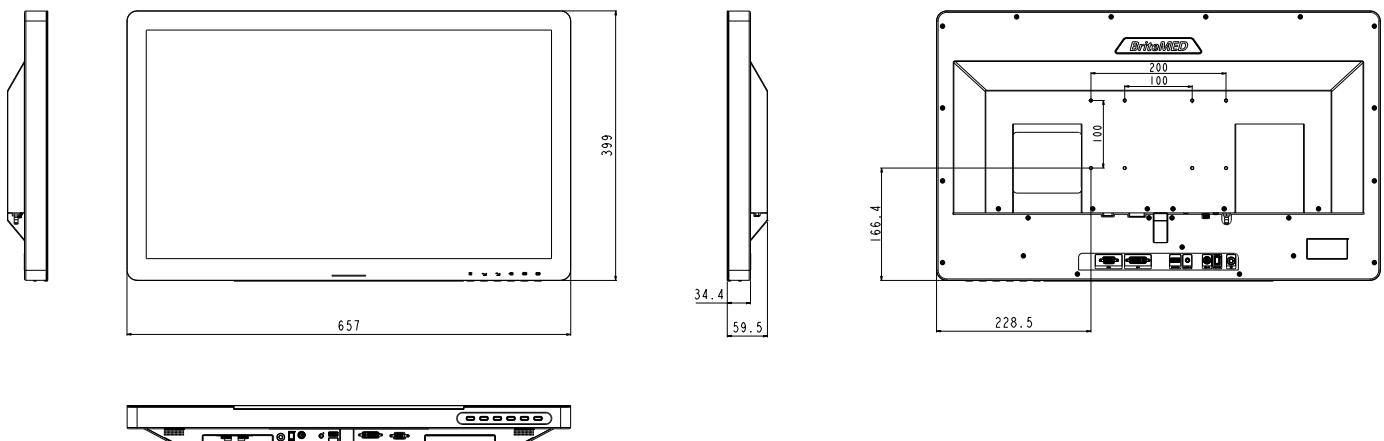
Multimodality Imaging

The picture-in-picture (PIP) and picture-by-picture settings allow multimodality display capability for various image combinations.

Selection Guide

	With VGA & DVI input for general connection	With analog video input for traditional system
Without HDMI input/output	MMS-27C	MMS-27CA
With HDMI input/output for PIP/PBP display	MMS-27CH	MMS-27CAH

Dimensions (unit: mm)



Specifications

Model		MMS-27C	MMS-27CA	MMS-27CH	MMS-27CAH
Description		General VGA, DVI inputs	Multiple analog inputs	VGA, DVI, and HDMI inputs	VGA, DVI, analog, and HDMI inputs
Picture Performance	LCD Size	27" (16:9)			
	Resolution	1920 (W) x 1080 (H) pixels			
	Brightness(max.)	700 nits (typical)			
	Contrast Ratio	1000:1 (typical)			
	View Angle (H/V)	178° / 178° (typical)			
	Color Temperature	Factory calibrated 5500K, 6500K, 7500K, 9300K			
	Gamma Correction	Factory calibrated gamma 2.0 & DICOM			
Function	Function Keys	1 x MENU 1 x Input source 1 x Custom input		1 x Backlight up /+ 1 x Backlight down / - 1 x Image size adjustment	
Input	VGA (DB-15)	1			
	DVI-D	1			
	HDMI	N/A	N/A	1	1
	Component	N/A	BNC x 5 (Y/Pb/Pr, R/Gs/B, R/G/B/C-Sync, R/G/B/H-Sync/V-Sync)	N/A	BNC x 5 (Y/Pb/Pr, R/Gs/B, R/G/B/C-Sync, R/G/B/H-Sync/V-Sync)
	CVBS	N/A	BNC x 1 (NTSC, PAL)	N/A	BNC x 1 (NTSC, PAL)
	S-Video	N/A	1	N/A	1
	Audio	Phone jack x 1			
Output	HDMI	N/A	N/A	1, loop through	1, loop through
	Component	N/A	BNC x 5, loop through (Y/Pb/Pr, R/Gs/B, R/G/B/C-Sync, R/G/B/H-Sync/V-Sync)	N/A	BNC x 5, loop through (Y/Pb/Pr, R/Gs/B, R/G/B/C-Sync, R/G/B/H-Sync/V-Sync)
	CVBS	N/A	BNC x 1, loop through (NTSC, PAL)	N/A	BNC x 1, loop through (NTSC, PAL)
	S-Video	N/A	1, loop through	N/A	1, loop through
	Audio	0.8W x 2			
Optional Interfaces	3G-SDI	Input x 1 Output x 1 (loop through)			
General	Power Requirement	10V~28V DC input			
	Power Adaptor	Medical grade power adaptor: input: 100-240V AC 50-60Hz; output: 12V DC/7.5A			
	Dimensions (L x W x H)	657 x 399 x 59.5 mm			
	Weight	10 kg			
	Mounting Standard	VESA 100 x 100 mm / 200 x 100 mm			
Environment	Operating Temperature	0°C~40°C			
	Operating Humidity	10%~90% (non-condensing)			
	Storage Temperature	-20°C ~60°C			
	Storage Humidity	10%~90% (non-condensing)			
	Certifications & Compliance	ANSI/AAMI ES60601-1, EN60601-1, CAN/CSA C22.2 No. 60601-1, and FCC Class B part 18			
Package Content	Monitor	1	1	1	1
	Power Adaptor	1	1	1	1
	Power Cord	1	1	1	1
	Grounding Cable	1	1	1	1
	VGA Cable	1	1	1	1
	DVI Cable	1	1	1	1
	HDMI Cable	N/A	N/A	1	1
	USB Cable	1	1	1	1
User Manual (USB flash drive)	1	1	1	1	

Ordering Information

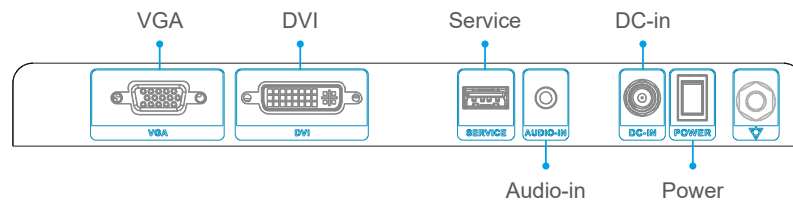
Part No.	Description
MMS-27C-R10	27" 1920x1080 color monitor, VGA/DVI-D input, 100-240V AC to 12V DC power adaptor
MMS-27CA-R10	27" 1920x1080 color monitor, VGA/DVI-D/Component/CVBS/S-Video input, 100-240V AC to 12V DC power adaptor
MMS-27CH-R10	27" 1920x1080 color monitor, VGA/DVI-D/HDMI input, 100-240V AC to 12V DC power adaptor
MMS-27CAH-R10	27" 1920x1080 color monitor, VGA/DVI-D/Component/CVBS/S-Video/HDMI input, 100-240V AC to 12V DC power adaptor

Factory Options

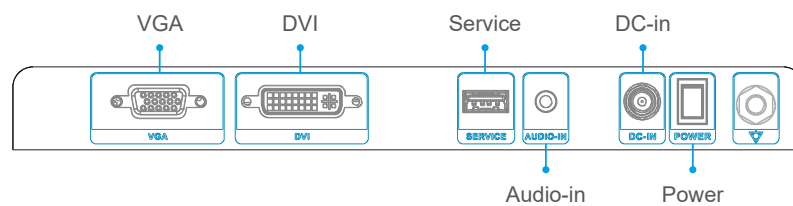
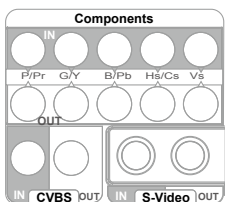
Part No.	Description
MMSO-3GSDI-R10	3GSDI input & output loop-through add-on module
STAND-DWH-R10	VESA 75/100 stand, supports up to 15 kg, white
WK-E35M-R10	VESA 100/200/200x100 wall mount kit, supports up to 35 kg, silver

Signal Interface

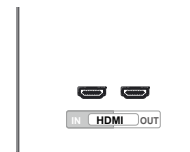
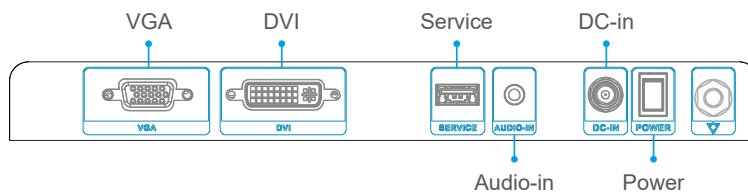
MMS-27C



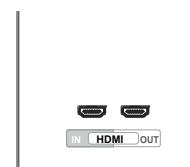
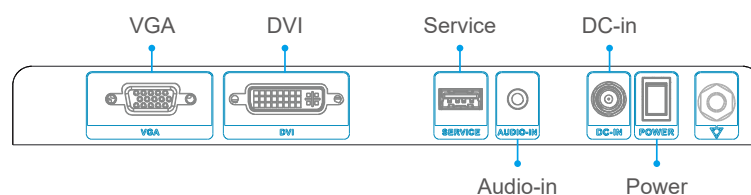
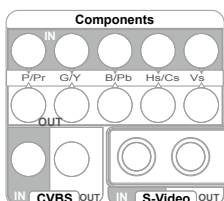
MMS-27CA



MMS-27CH



MMS-27CAH



BriteMED® Medical Computer Cart

Powered by BriteMED

BriteMED® Medical Computer Carts are in wide selection for medication, ICU, and documentation purpose. Designed with aluminum-alloy structure and ABS working table feature durability and easy-to-clean advantage. When integrating with medical panel PC, the intelligent medical workstation creates clinical mobility that streamline the hospital workflow and improve ward-round efficiency.



Model No.		pCART-N1	pCART-N3	pCART-D1
Description		Ergonomic for medication use	Small and Compact for use in limited space	Elegant design for documentation purpose
Size (L x W x H)		68 x 54 x 103 cm	46 x 51 x 94 cm	54 x 52 x 79.5~109.5 cm
Working Table Dimensions (L x W)		59 x 45 cm		45 x 54 cm
Side Table Loading Weight (max.)		8 kg		N/A
Supported Arm Loading Weight (max.)		12 kg		8 kg
Standard Drawer Configuration	Total Height	27"	24"	N/A
	3" keyboard drawer	1	1	N/A
	3" drawer/ABS tray	1	2	N/A
	3" medication drawer	3	N/A	N/A
	6" drawer	2	1	N/A
	9" drawer	N/A	1	N/A
Mouse Holder		N/A		1
Document Basket		N/A		1
Barcode Reader Holder		N/A		1
Wheels		5"	4"	4"

*Accessories and panel PC are optional