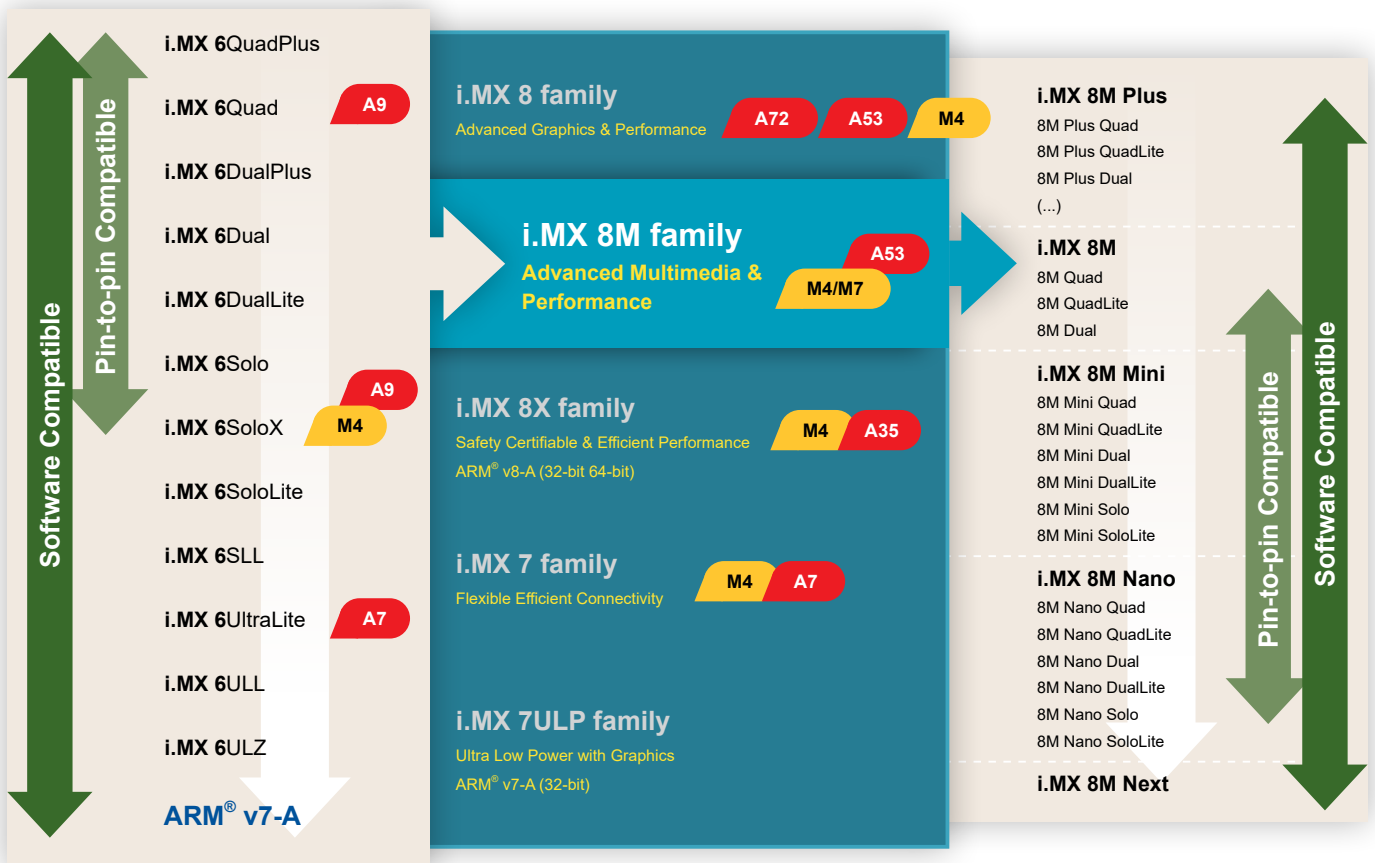
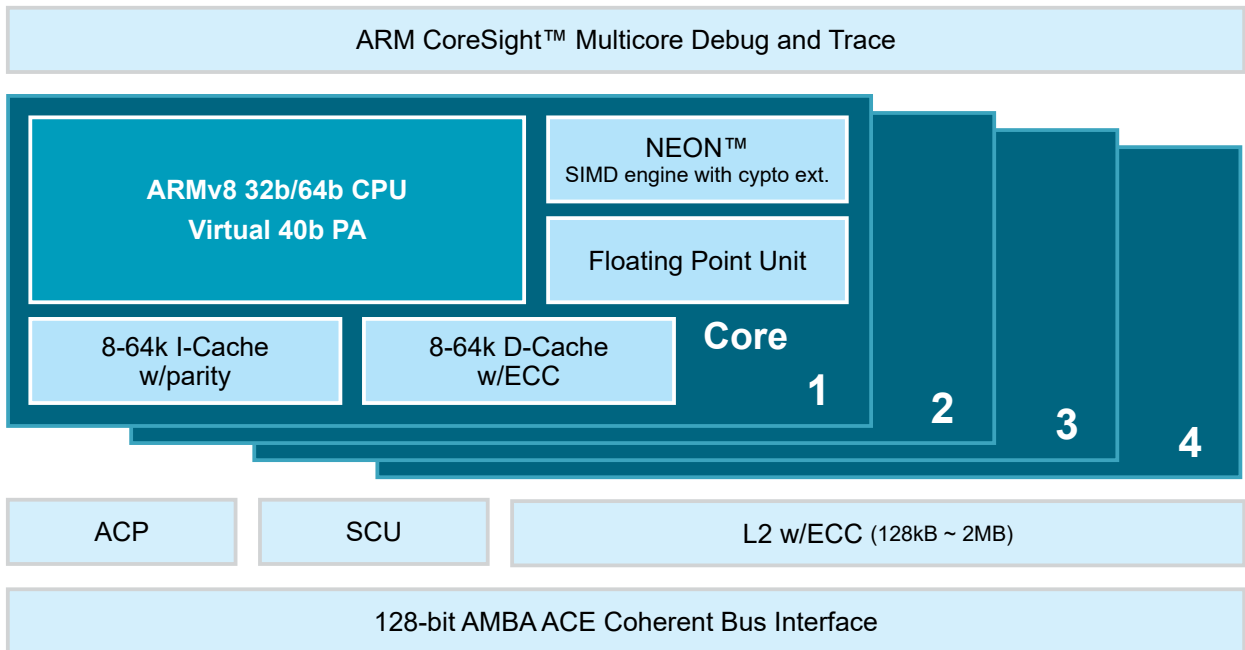


Cortex™-A53 on Freescale™ i.MX 8M Series

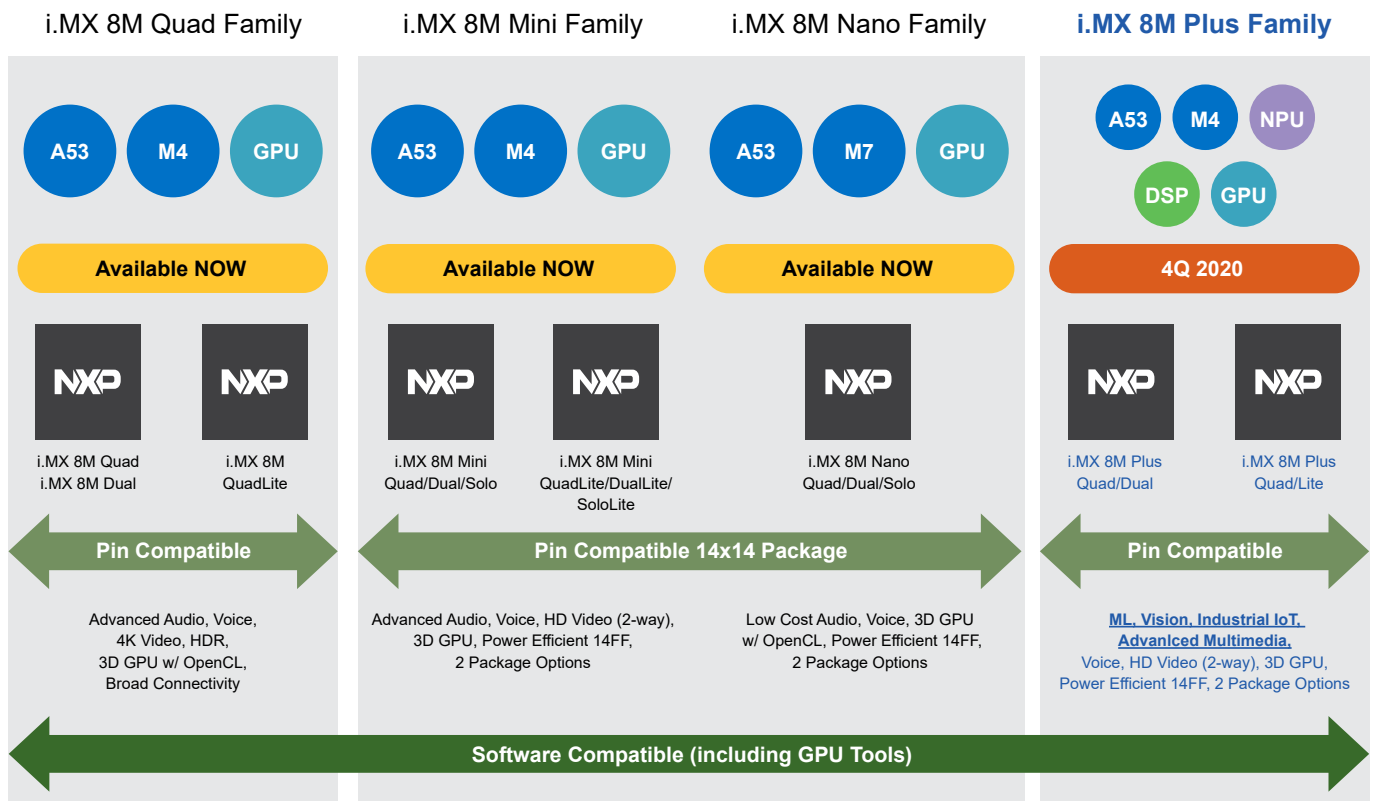
» i.MX 8M Family of Applications Processors



Cortex™-A53 MPCore



» i.MX 8M Series: Scalable Solutions for the Broad Market



Scalable series of FOUR Arm V8 64-bit (/32-bit) based SoC Families

» Machine Learning Acceleration at the Edge

» AIOM-X8MM

- Computer on Module (32mm x 50 mm)
- i.MX8M Mini SoC

» AIOM-X8MN

- Computer on Module (32mm x 50 mm)
- i.MX8M Nano SoC

» AIOM-X8MP

- Computer on Module (32mm x 50 mm)
- i.MX8M Plus SoC

IEI's i.MX 8M computer on module series integrates with i.MX 8M mini, i.MX8M and i.MX8M plus SoCs.

The i.MX 8M Plus family of processors is based on ARM® Cortex®-A53 and Cortex-M7 cores and delivers a new level of:

- Machine Learning and Vision System
- Advanced Multimedia
- Industrial Networking and High Reliability.

It is well suited for applications as:

- Smart Home, Building, Retail and City
- Smart Factory and Industry IoT

